

Panasonic®

PARTS LIST

UD-7900M

Parts and List Available through:



List is a reproduction

Panasonic System Networks Co., Ltd.

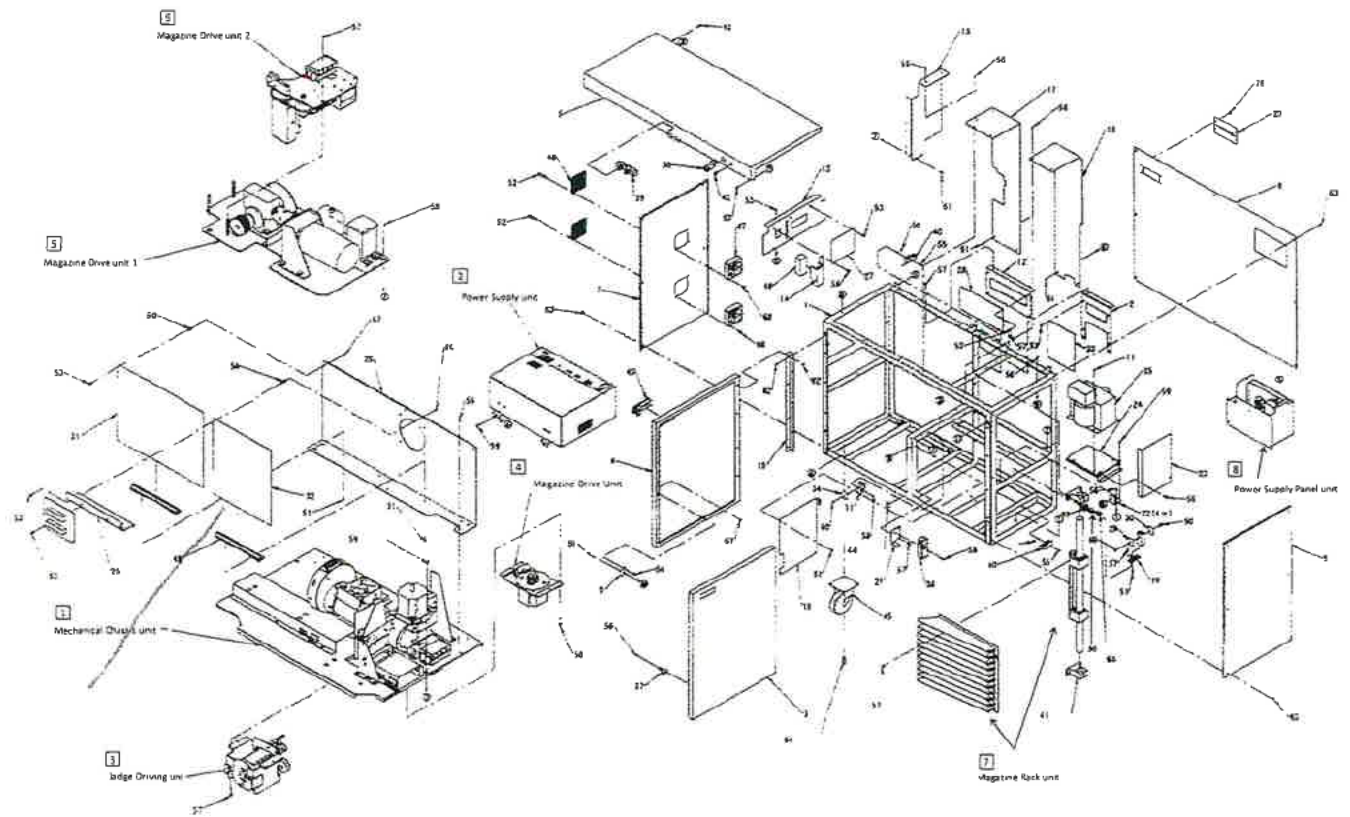
CONTENTS

0	UD-7900 ASSEMBLY	-----	P. 1
1	Mechanical Chassis unit	-----	P. 4
2	Power Supply unit	-----	P. 6
3	PM2 unit	-----	P. 8
4	PM3 unit	-----	P. 10
5	Magazine Drive unit 1	-----	P. 12
6	Magazine Drive unit 2	-----	P. 14
7	Magazine Rack unit	-----	P. 16
8	Power Supply Panel unit	-----	P. 18
9	Housing unit	-----	P. 20
10	Main housing unit	-----	P. 22
11	PMT unit	-----	P. 24
12	Lamp unit	-----	P. 26
13	Card carrier unit	-----	P. 28
14	PM1 unit	-----	P. 30
15	Push-up Rod unit	-----	P. 32
16	PMT Head kit	-----	P. 34
17	Badge Driving Motor unit	-----	P. 36
18	Screw set	-----	P. 38
19	Sensor PCB kit 1	-----	P. 40
20	Guide Roller set	-----	P. 40
21	Sensor PCB kit 2	-----	P. 40
22	O-ring set	-----	P. 40
23	Switch set	-----	P. 40

CONTENTS

24	Silicone Rubber for Convergence Tube	-----	P. 40
25	Fuse set	-----	P. 41
26	Protect glass	-----	P. 41
27	Push-up Rod guide kit	-----	P. 41
28	Speed reductor unit	-----	P. 41
29	Sensor PCB set	-----	P. 41
30	Heating Lamp	-----	P. 41
31	FAN set	-----	P. 41
32	Harness set	-----	P. 42

0 UD-7900 ASSEMBLY



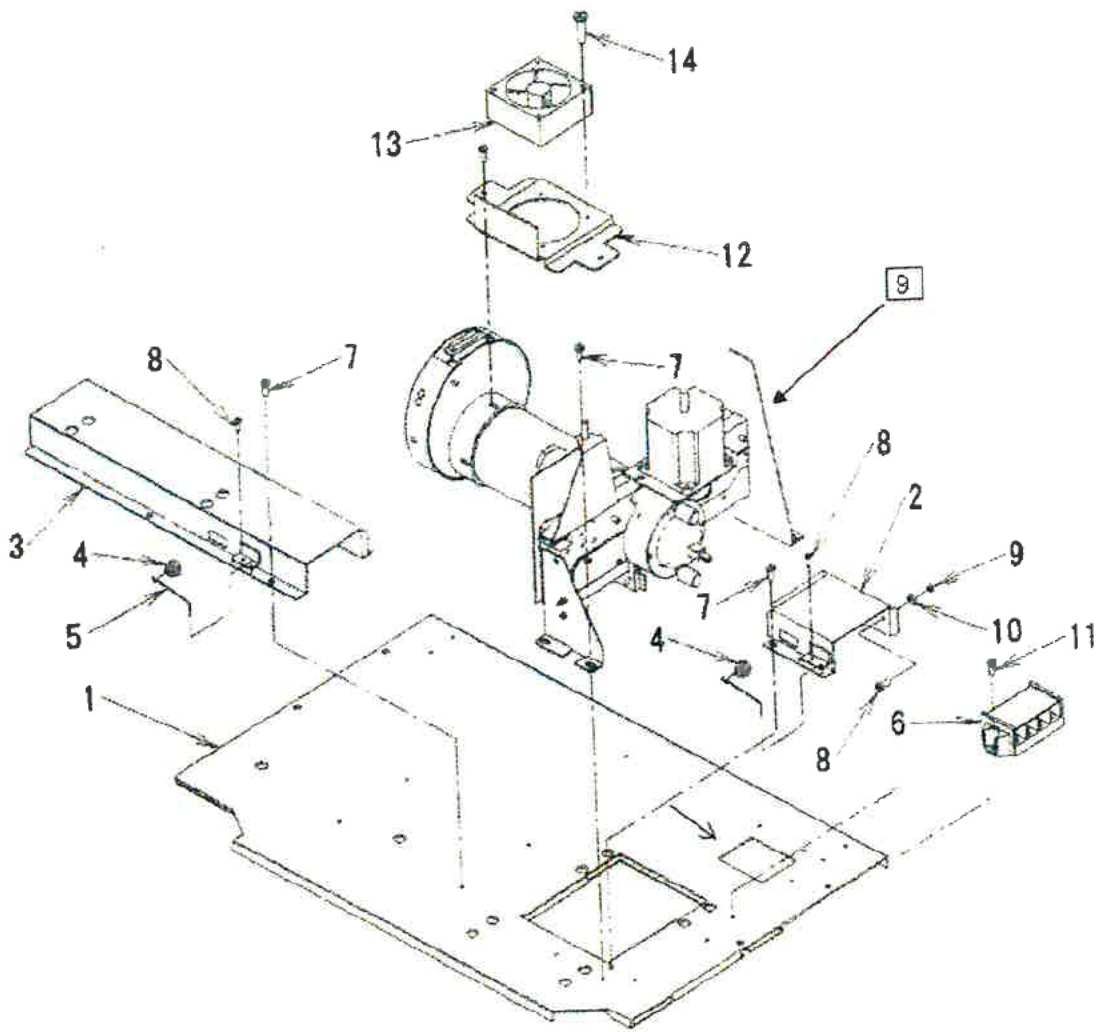
0

UD-7900 ASSEMBLY

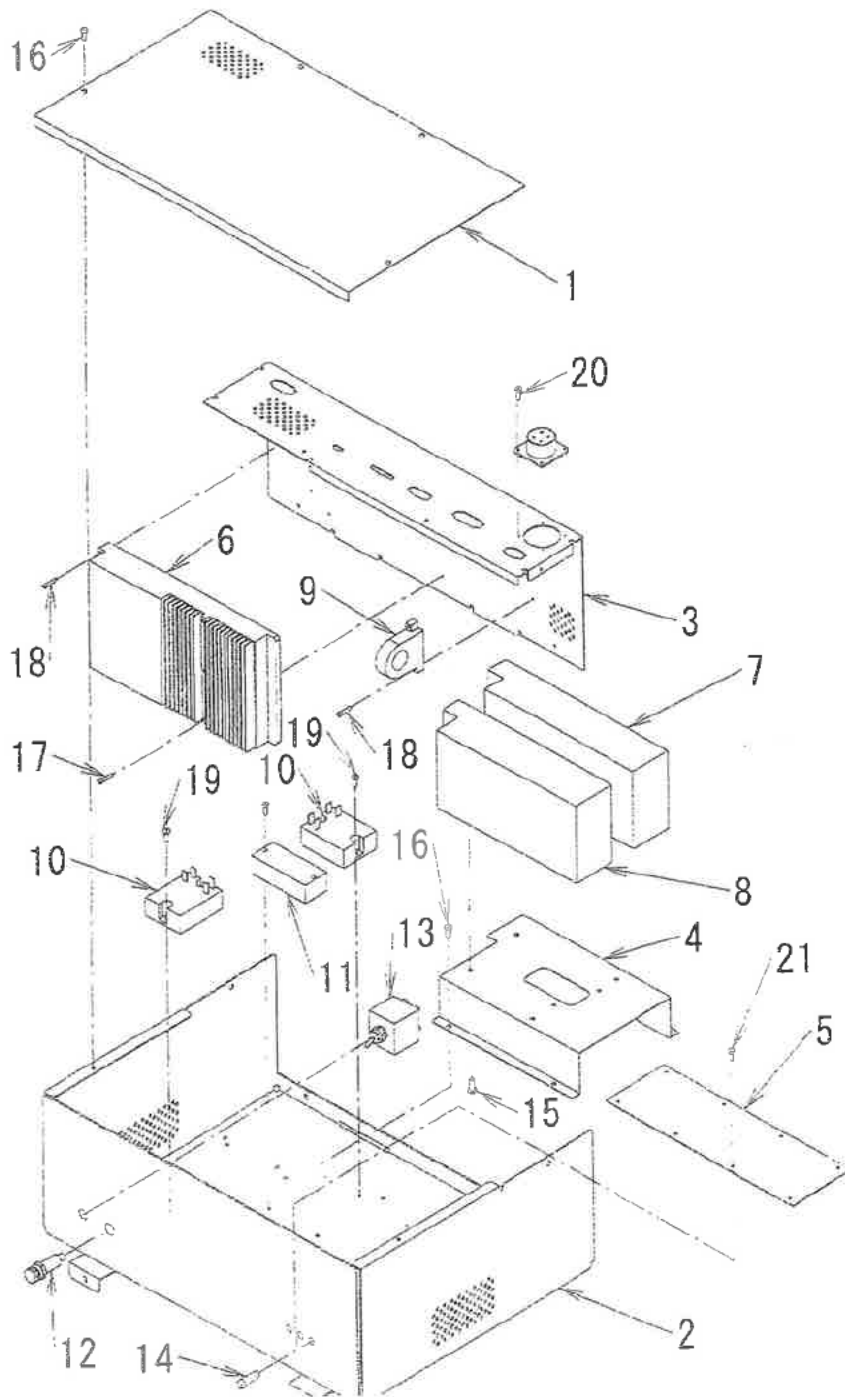
Ckt.No.	Order No.	Parts No	Part Name
1	UD-S*7900028	-	Mechanical Chassis unit
2	UD-S*7900029	-	Power Supply unit
3	UD-S*7900002	-	PM2 unit
4	UD-S*7900003	-	PM3 unit
5	UD-S*7900030	-	Magazine Drive unit 1
6	UD-S*7900031	-	Magazine Drive unit 2
7	UD-S*7900032	-	Magazine Rack unit
8	UD-S*7900033	-	Power Supply Panel unit
1	-	UDM7900C01-3	Frame
2	-	UDM7900012-1	PCB PLATES
3	-	UDM7900021-2	Front panel(L)
4	-	UDM7900022-2	Front panel(R)
5	-	UDM7900023-2	Top panel
6	-	UDM7900024	Side panel(R)
7	-	UDM7900025	Side panel(L)
8	-	UDM7900026-1	Rear panel
9	-	UDM7900027	Front door bracket
10	-	UDM7900031	Shelf sensor bracket
11	-	UDM7900036-1	Tray sensor bracket
12	-	UDM7900051	Bracket 1
13	-	UDM7900052-1	Bracket 2
14	-	UDM7900053-1	H/Y fixed board
15	-	UDM7900056-1	Door hinge
16	-	UDM7900060	Cover 1
17	-	UDM7900061	Cover 2
18	-	UDM7900062	Cover 3
19	-	UDM7900063	Cover 4
20	-	UDS7900080D	Cable cover
		UDS7900080U	Cable cover
21	-	UDM794X086	Door switch bracket
22	-	UDM794X087	Cover mount bracket
23	-	UDM794X088	Trans cover
24	-	UDM794X089	Trans mount bracket
25	-	UDM794X090	Board mount bracket
26	-	710A0112-2	PCB&FAN bracket
27	UD-S*7900018	501-UDP790052-J1	Analog control PCB
28	UD-S*7900019	501-UDP790053-J2	Digital control PCB
29		501-UDP790055-J1	Sensor PCB set
30	UD-S*7900020	501-UDP790055-J2	
34		501-UD730A011J	
31	UD-S*7900021	501-UDP710X06BJ2	Hybrid Integrator PCB
32	UD-S*7900022	501-UD710A004B	Mechanism control PCB
33	UD-S*7900023	501-UD730A001DJ	Changer control PCB
35	UD-S*7900024	DVS840UTE1500	Trans 220V->100V
	UD-S*7900025	DVSH120AE7X	Trans 120V->100V
36		K0AALFK00001	Switch set
37		K0YZ00000082	
38/42	UD-S*7900026	UDH7900013B1	
39		Z-15HQ	
40		Z-15GM	
41	-	SH30A	Shaft support
43	-	C2-33-25	Door handle
44	-	TM-166-23	Door cushion

*: A (for USA)/E (for Europe)/J (for Japan)

1 Mechanical Chassis unit (UD-S*7900028)



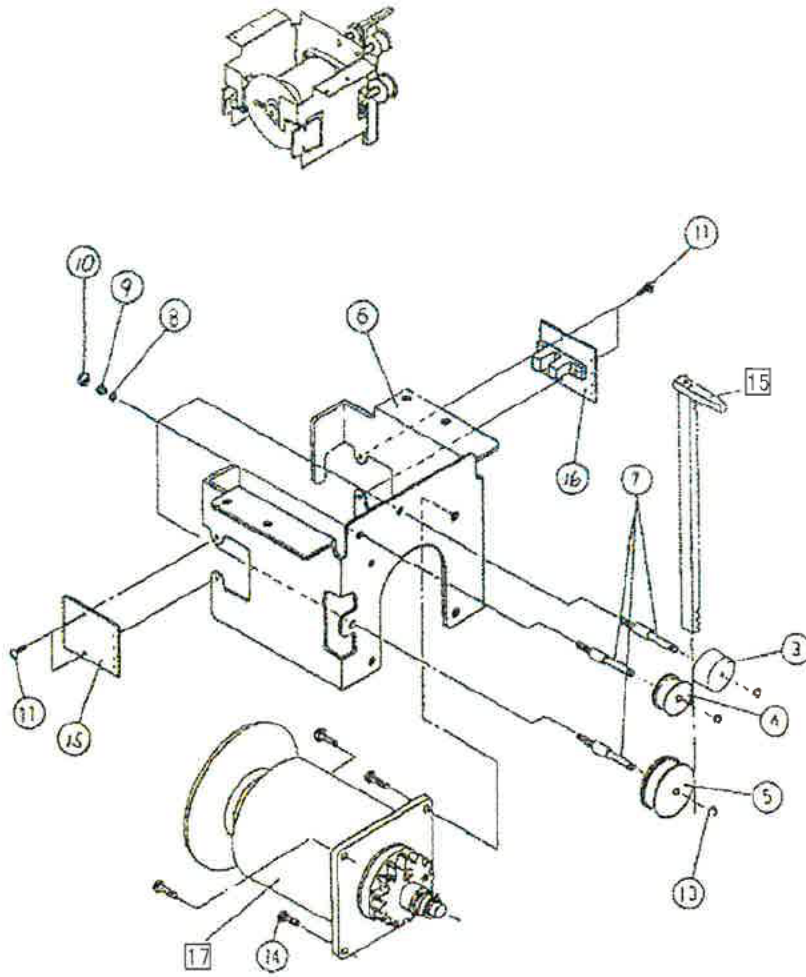
2 Power Supply unit (UD-S*7900029)



2 Power Supply unit (UD-S*7900029)

Ckt.No.	Order No.	Parts No	Part Name
1	-	UDM7900048	Power supply cover
2	-	UDM7900046-3	Power supply case
3	-	UDM7900047-1	Power supply panel
4	-	UDM7900049	Power supply mount
5	UD-S*7900038	501-UDP790054AJ1	Power supply control PCB
6	UD-S*7900039	IP-MU2-CQ	Power Supply set
7		JWT100-522	
8		JWS100-24	
9	-	UDH7900012B2	Sensor
10	-	D2425D	Relay
11	-	JTP30-4U-ULCSA	Terminal block
12	-	K3GA1BJ00018	Fuse holder
13	-	2100F-5A-AA	Breaker switch
14	-	B3ABZ0000044	LED
15	-	XYN4+C10FJ	Screw-pan
16	-	XYN4+C8FJ	Screw-pan
17	-	XYN3+C35FJ	Screw-pan
18	-	XYN3+J15FJ	Screw-pan
19	-	XYN3+C10FJ	Screw-pan
20	-	XYN3+C8FJ	Screw-pan
21	-	XYN3+C6FJ	Screw-pan

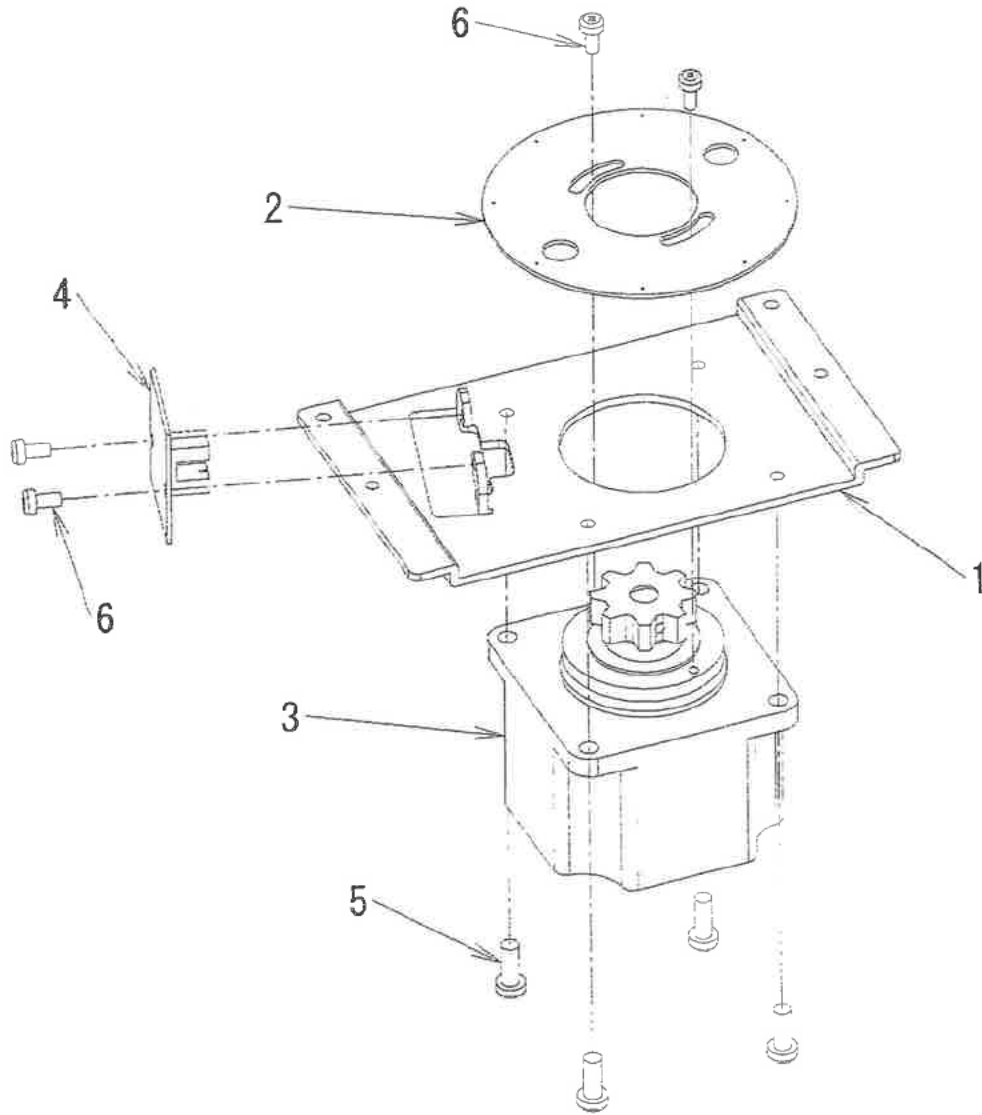
3 PM2 unit (UD-S*7900002)



3 PM2 unit (UD-S*7900002)

Ckt.No.	Order No.	Parts No	Part Name
1			
2			
3	UD-S*7900014	710A0083	Push-up Rod guide kit
4		710A0084	
5		710A0082	
6	-	710A0071-3	Bracket
7	-	MSD03	Roller shaft
8	-	XWE3FJ	Washer
9	-	XWA3BFJ	Spring washer
10	-	XNG3FJ	Nut
11	-	XYN3+C8FJ	Screw-pan
12	-	XYN2+C6FJ	Screw-pan
13	-	XUC3VW	E-ring
14	-	XYN4+C12FJ	Screw-pan
15	UD-S*7900001	501-UD710A020J2	Sensor PCB kit 1
16		501-UD710A020J1	
15	UD-S*7900013	-	Push-up Rod unit
17	-	700-710AU08	Badge Driving Motor unit

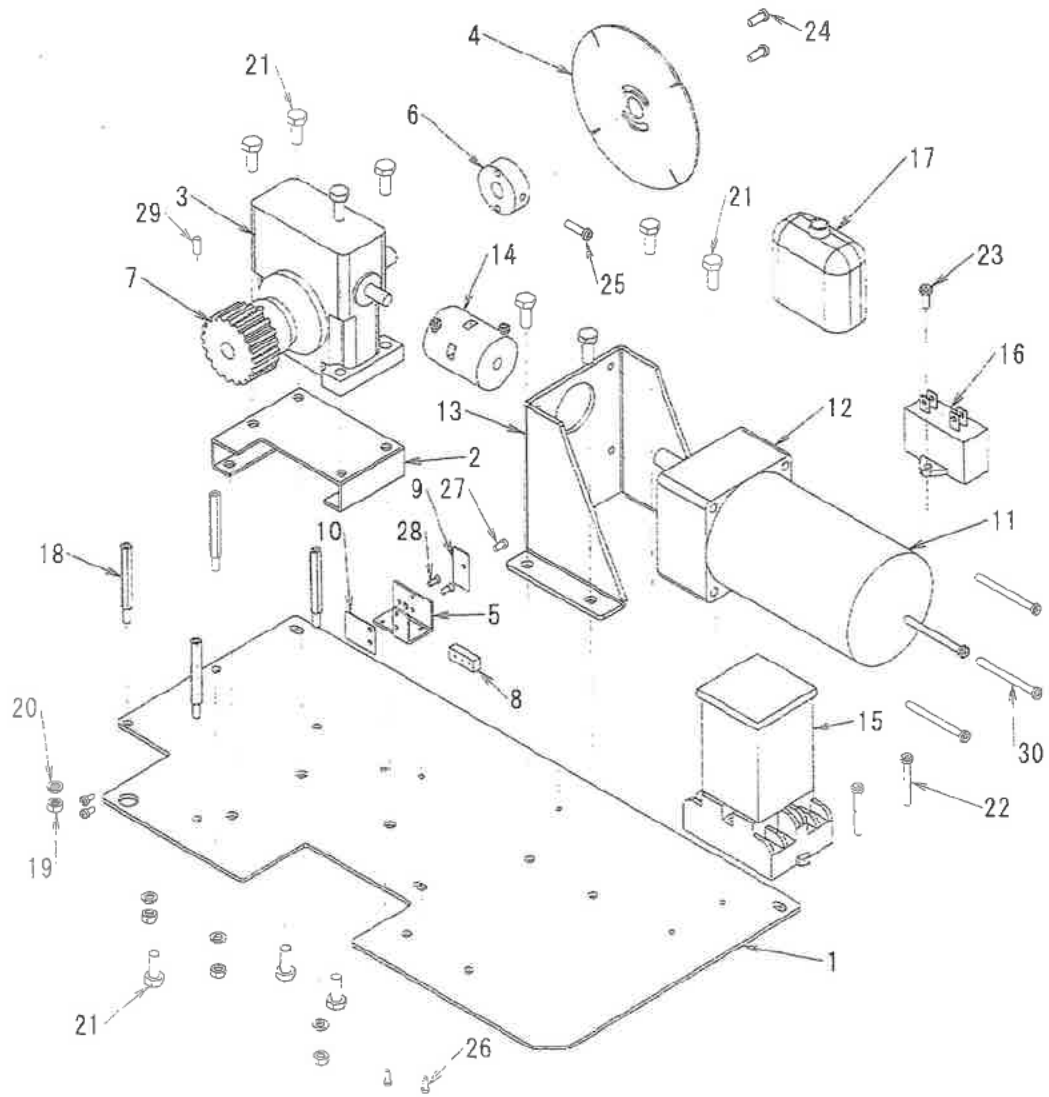
4 PM3 unit (UD-S*7900003)



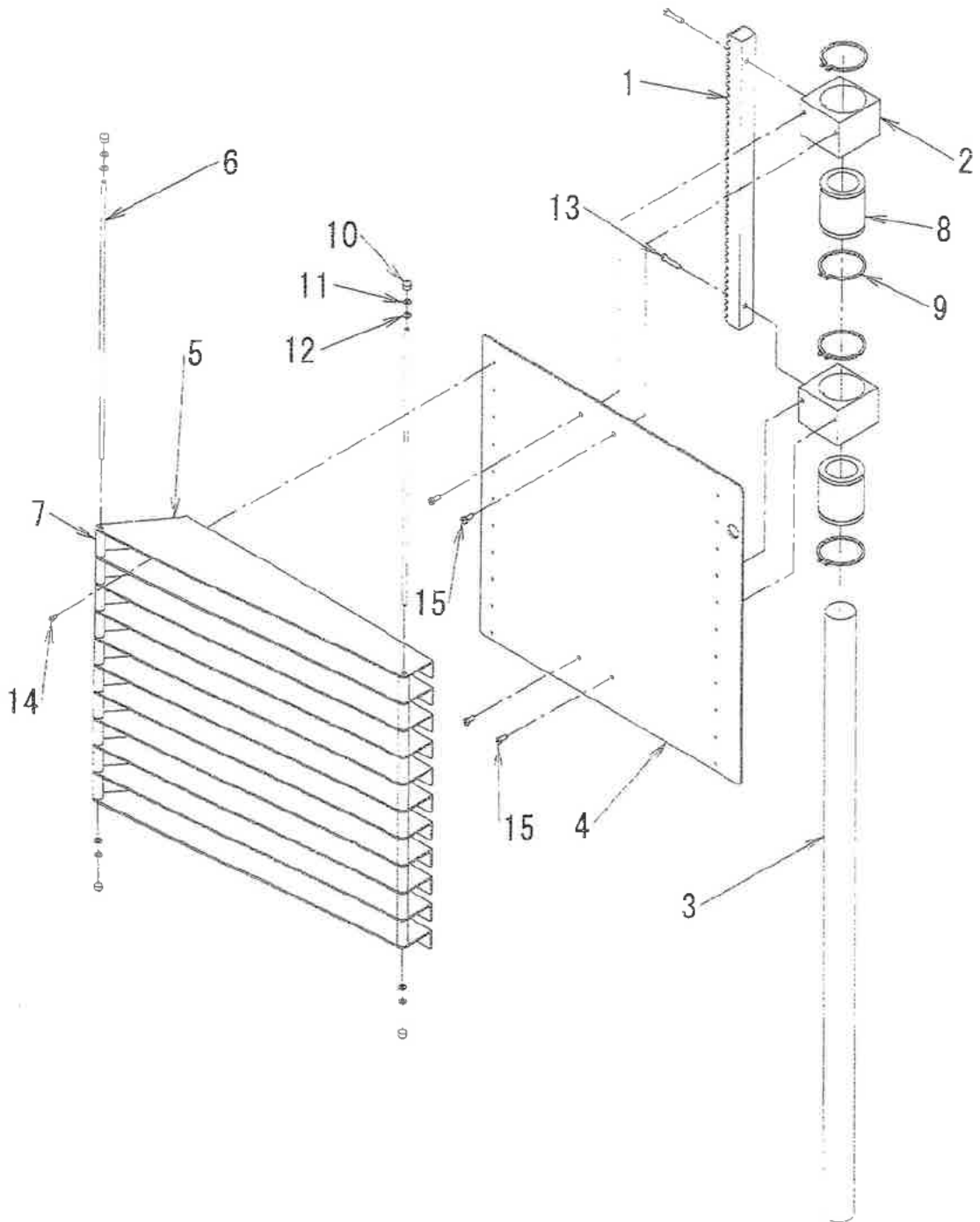
4 PM3 unit (UD-S*7900003)

Ckt.No.	Order No.	Parts No	Part Name
1	-	710A0091-1	Chassis
2	-	710A0094-2	Disc
3	-	600-UDE710XPM3-2	PM3 Assy' with connector
4	UD-S*7900001	501-UD710A020J6	Sensor PCB kit 1
5		XYN4+J10FJ	Screw-pan
6		XYN3+J6FJ	Screw-pan

5 Magazine Drive unit 1 (UD-S*7900030)



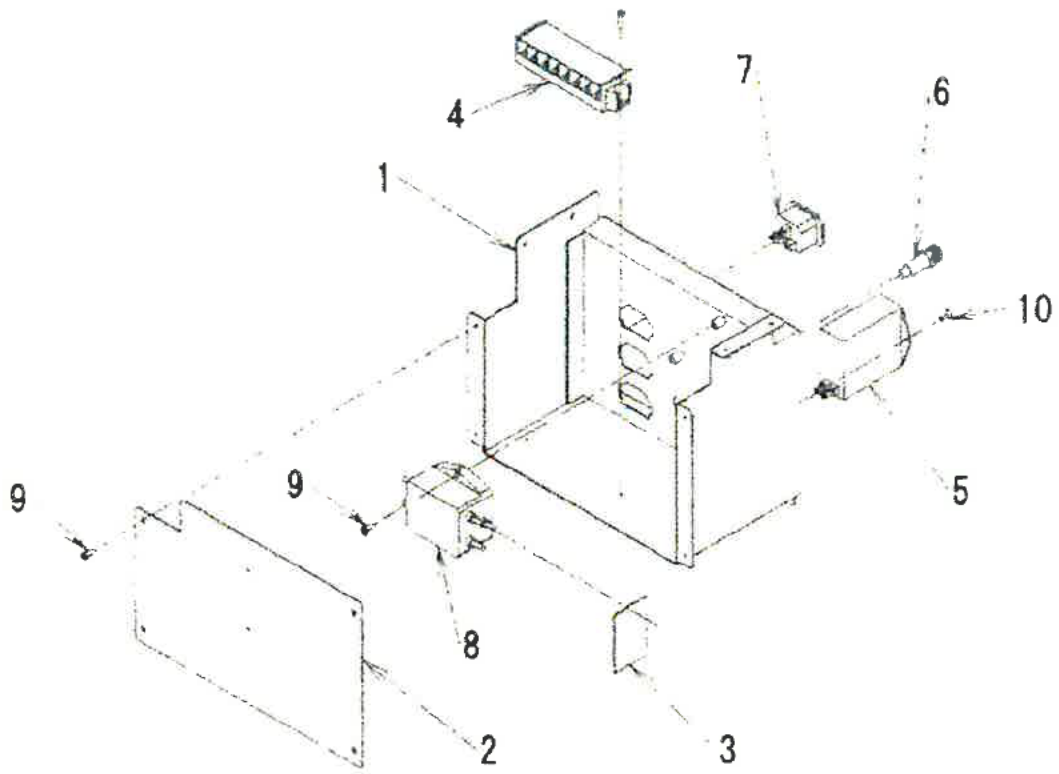
7 Magazine Rack unit (UD-S*7900032)



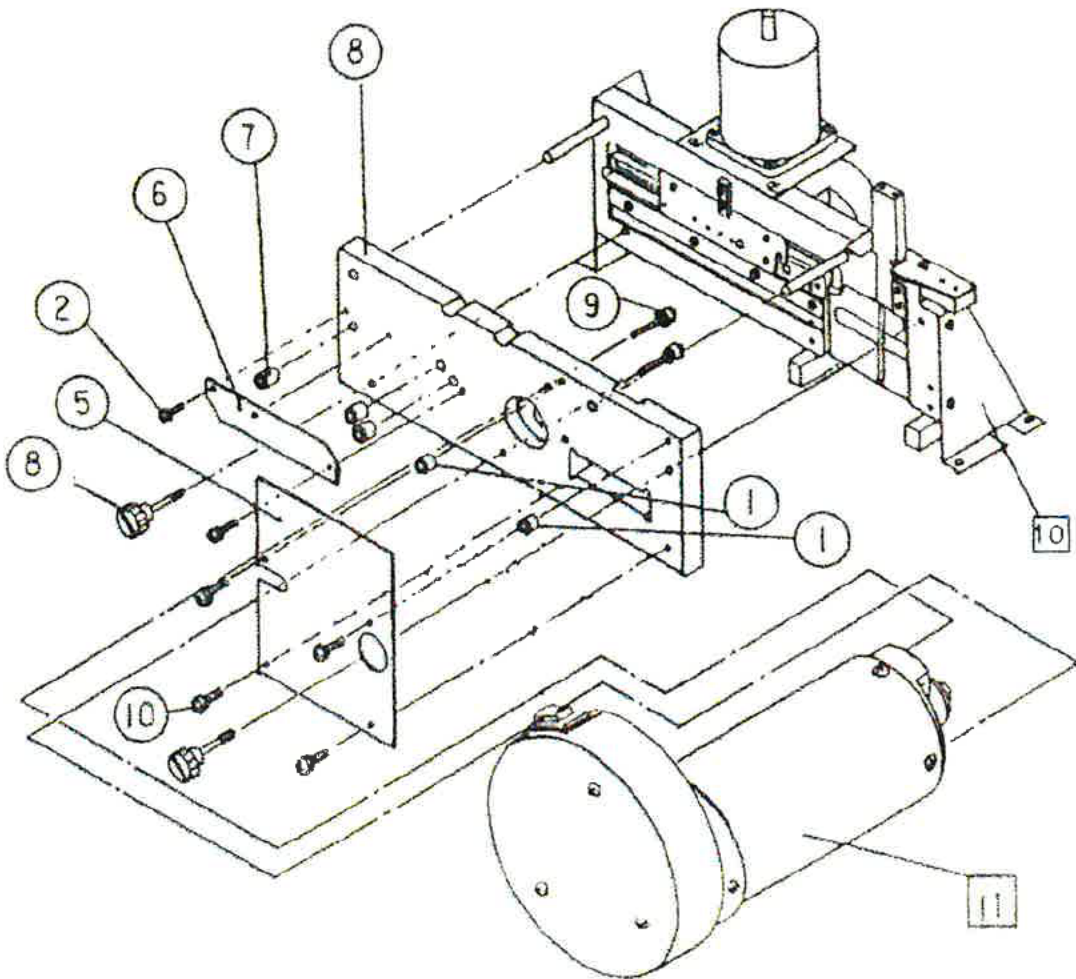
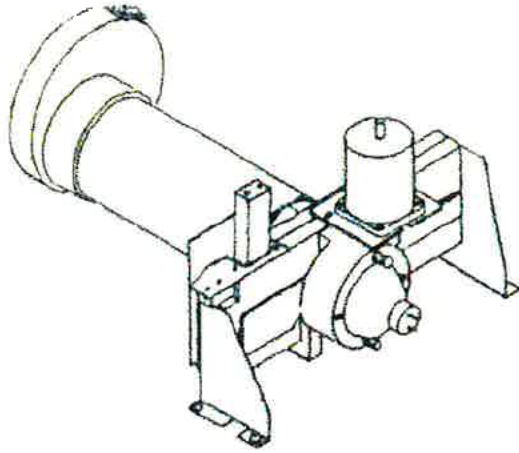
7 Magazine Rack unit (UD-S*7900032)

Ckt.No.	Order No.	Parts No	Part Name
1	-	730A0030KNH2	Rack working
2	-	730A0031-1	Bearing socket
3	-	730A0033-3	Slide shaft
4	-	730A0034-1	Chassis
5	-	730A0036-1	Plate
6	-	730A0037-2	Reinforcement stick
7	-	730A0108	Rack spacer
8	-	N-30LVUU	Slide bearing
9	-	N045	C-ring
10	-	CAP-NUT-M4	Nut
11	-	XWA4BFJ	Spring washer
12	-	XWG4FJ	Washer
13	-	XYN5+J15FJ	Screw-pan
14	-	XST3+6FN	Screw-truss
15	-	XYN4+J10FJ	Screw-pan
16			
17			
18			
19			
20			
21			
22			
23			
24			
25			
26			
27			
28			
29			
30			

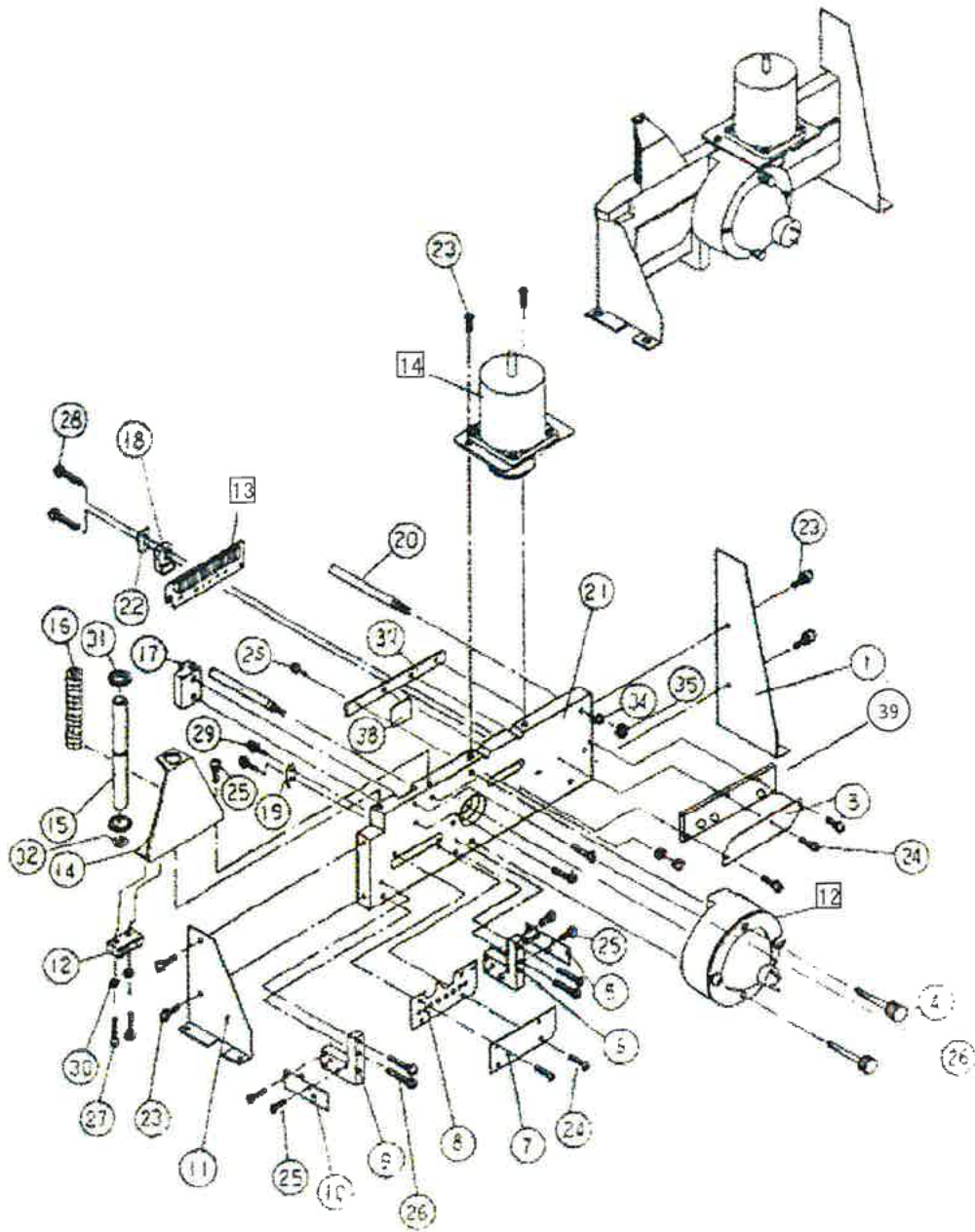
8 Power Supply Panel unit (UD-S*7900033)



9 Housing unit (UD-S*7900040)



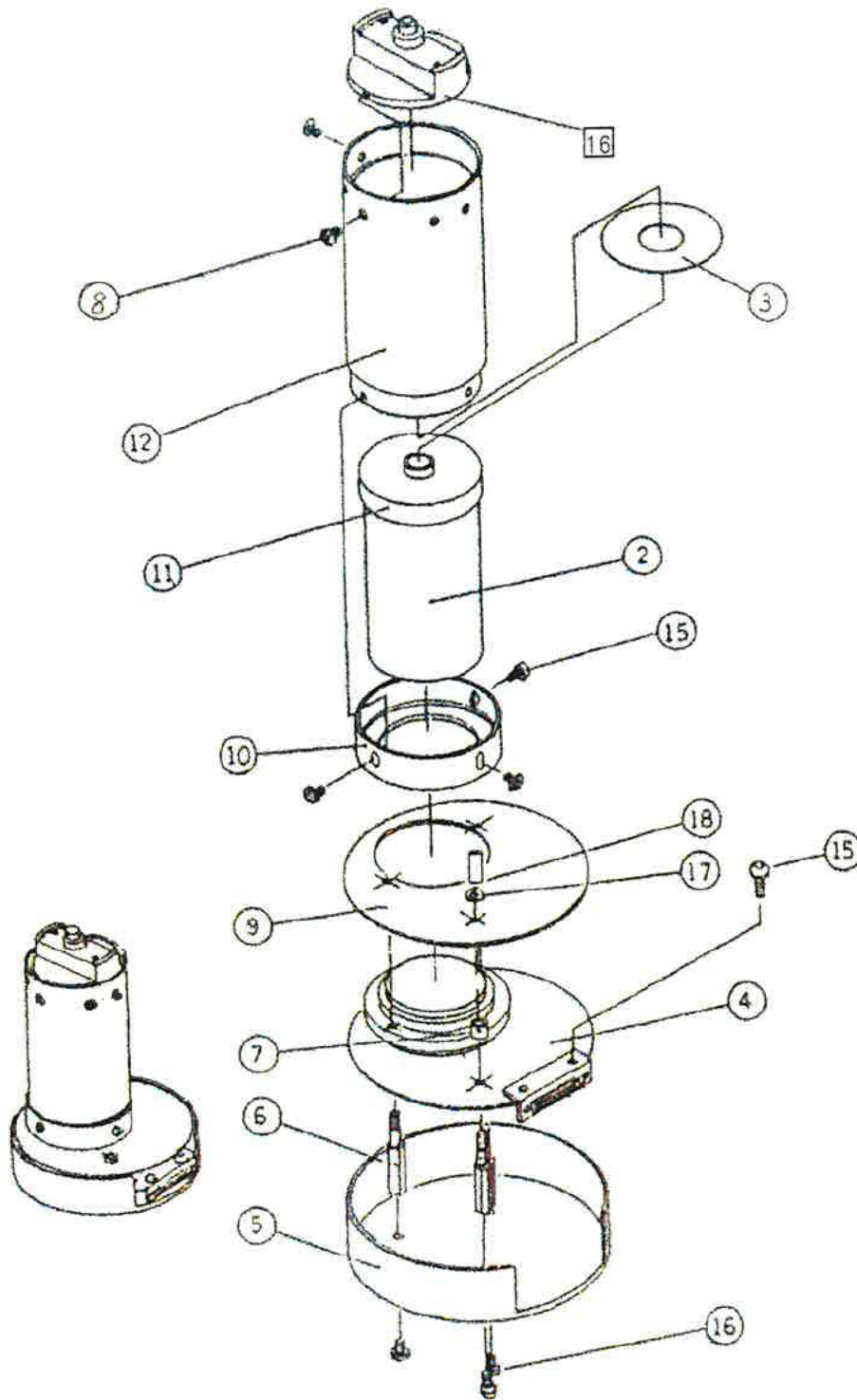
10 Main housing unit (UD-S*7900041)



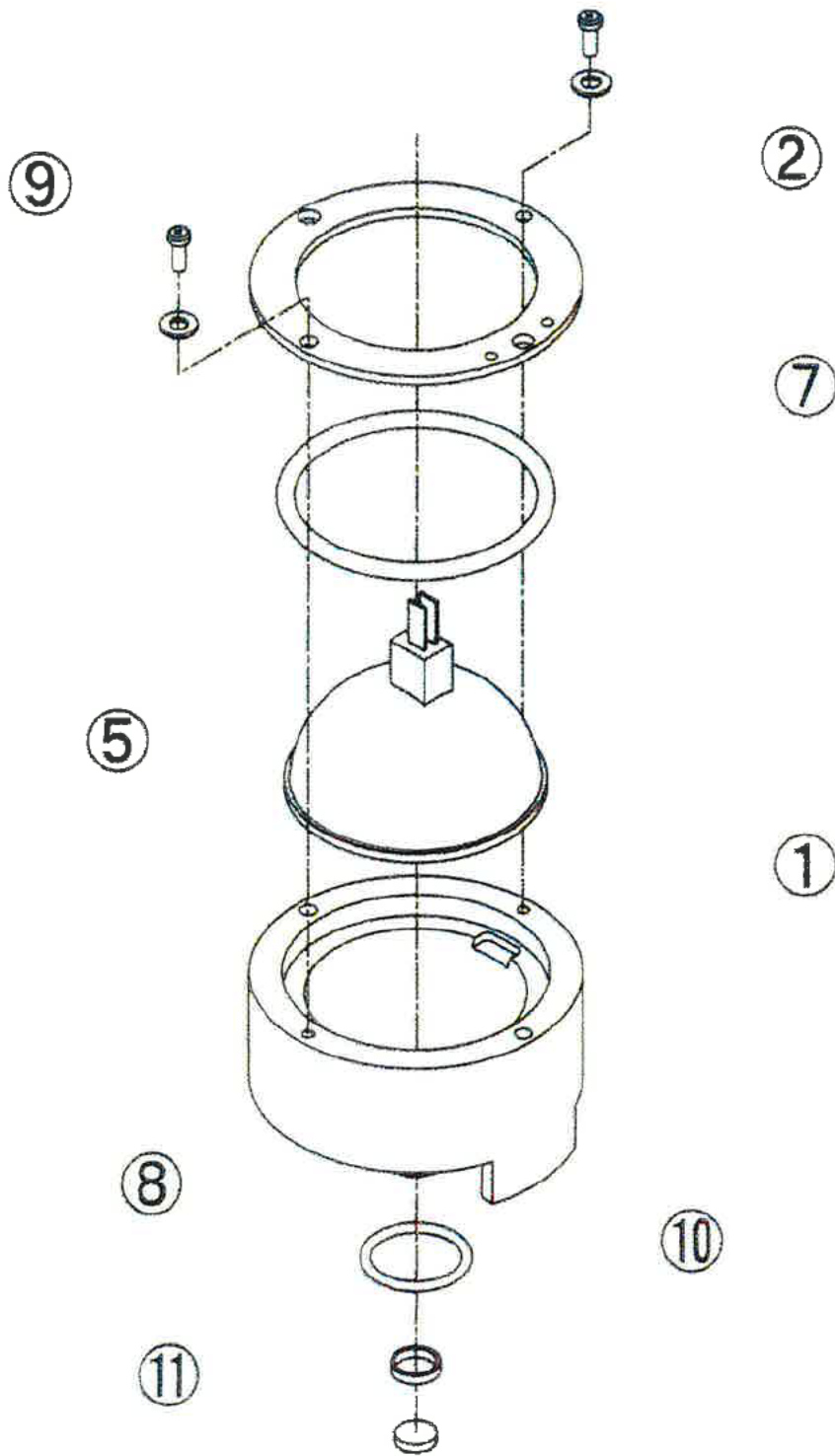
10 Main housing unit (UD-S*7900041)

Ckt.No.	Order No.	Parts No	Part Name
12	UD-S*7900042	-	Lamp unit
13	UD-S*7900015	-	Card carrier unit
14	UD-S*7900043	-	PM1 unit
1	-	710A0030A	Housing back support
2			
3	UD-S*7900001	501-UD710A013J	Sensor PCB kit 1
4	-	710A0045A	Screw-knob
5	UD-S*7900001	501-UD710A016BJ	Sensor PCB kit 1
6	-	710A0018-1	LED bracket
7	UD-S*7900009	501-UD710A012AJ1	No.Lamp board
8	-	702A0041	Reflector
9	-	710A0019	Bracket
10	UD-S*7900001	501-UD710A015J	Sensor PCB kit 1
11	-	710A0029A	Housing front support
12	-	SS-5	Micro switch
13			
14	-	710A0020	Bracket
15	-	710A0024	Rod
16	-	MS-SP01	Spring
17	-	710A0026-2	Rod guide
18	-	710A0021	Push plate(A)
19	-	710A0012-3	Card lock plate
20	-	710A0028A	Stud
21	UD-S*7900016	710A0001-5	Main Housing
22	-	710A0022	Push plate(B)
23	-	XYN4+C12FJ	Screw-pan
24	-	XYN3+C10FJ	Screw-pan
25	-	XYN3+C8FJ	Screw-pan
26	-	XYN3+C16FJ	Screw-pan
27	-	XYN2+C12FJ	Screw-pan
28	-	XYN3+C14FJ	Screw-pan
29	-	XYN4+C10FJ	Screw-pan
30	-	XWE25FJ	Washer
31	-	XWE5FJ	Washer
32	-	XUC4VW	E-ring
33			
34	-	XWA4B	Spring washer
35	-	XNG4FJ	Nut
36			
37	-	710A0245-1	Glass mount
38	UD-S*7900007	710A0244	Protect glass
39	-	710A0246-1	SR-PT-123 Spacer

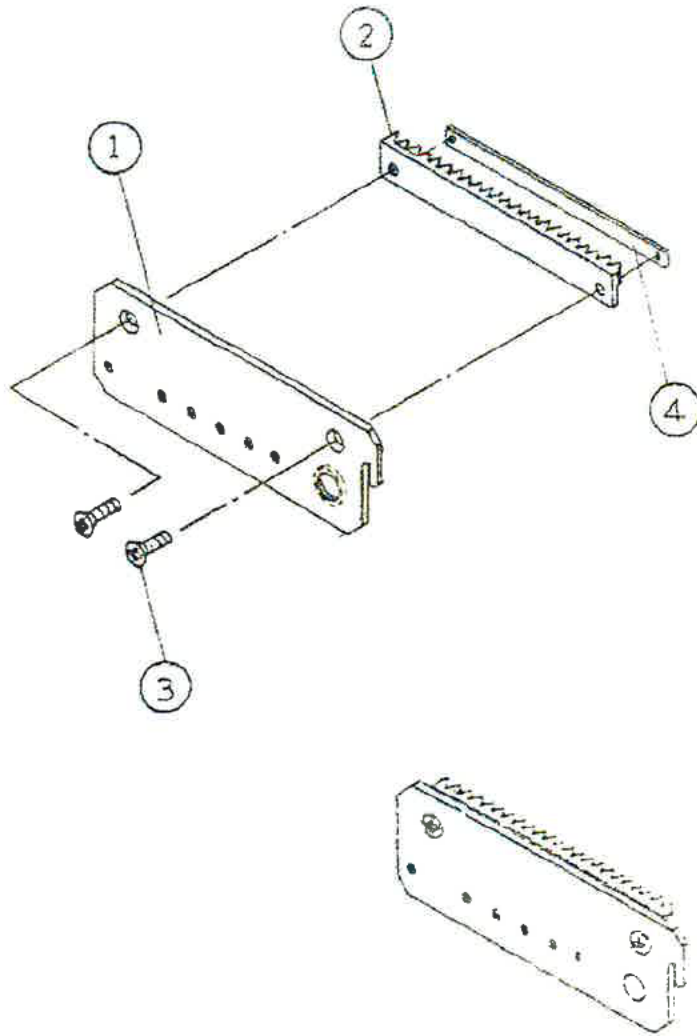
11 PMT unit (UD-S*7900005)



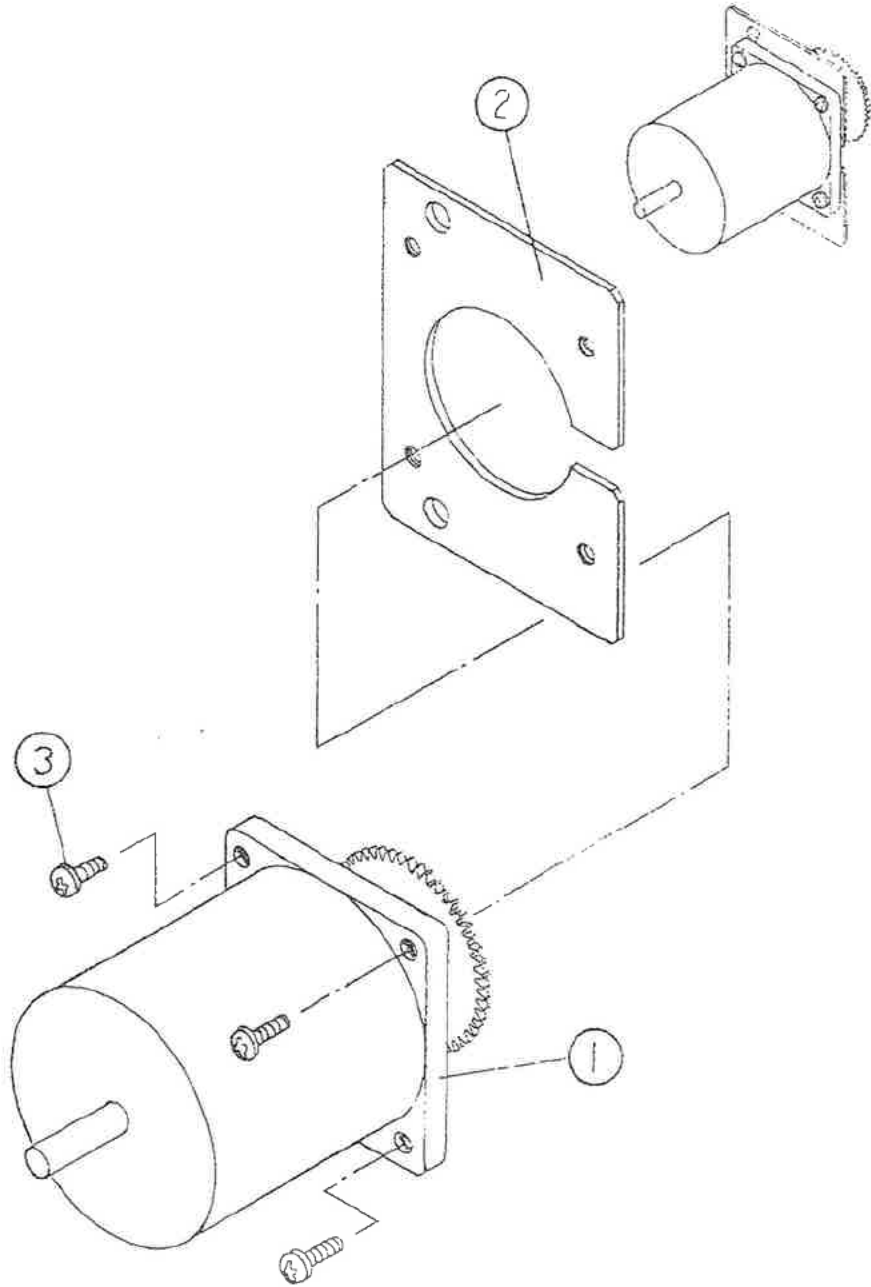
12 Lamp unit (UD-S*7900042)



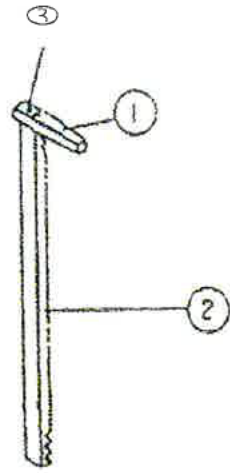
13 Card carrier unit (UD-S*7900015)



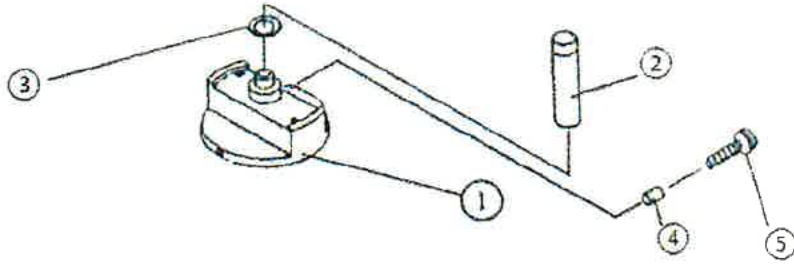
14 PM1 unit (UD-S*7900043)



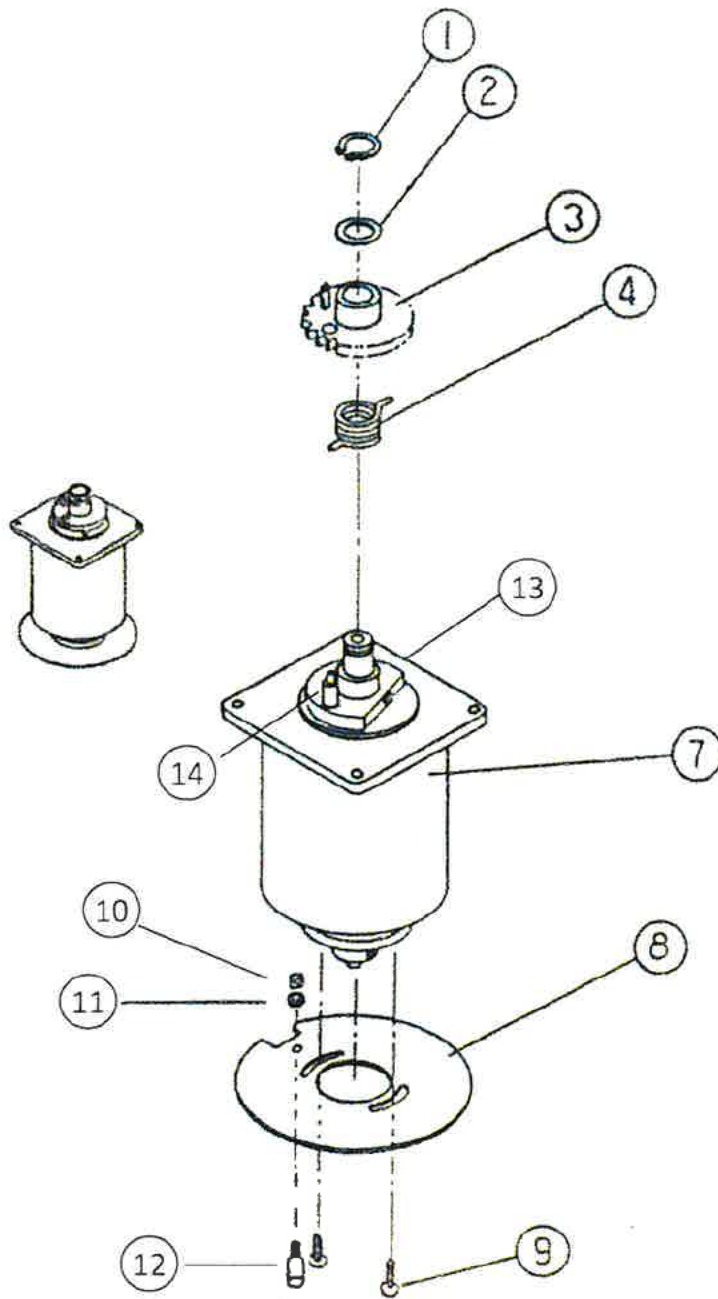
15 Push-up Rod unit (UD-S*7900013)



16 PMT Head kit (UD-S*7900012)



17 Badge Driving Motor unit (700-710AU08)



18

Screw set(1/2) UD-S*7900050

Ckt.No	Parts No.	Part Name
	6X3X3	Collar
	B-8XL-10	Spacer
	CAP-NUT-M4	Nut
	N045	C-ring
	PE-0408	Screw-resin
	SA55M3-10-BS	Stud
	SA55M3-10-BS	Stud
	SB8M4-42-BS	Stud
	XNG3FJ	Nut
	XNG4FJ	Nut
	XNG5FJ	Nut
	XPL4A28W	Springpin
	XSS26+5FJ	Countersunk screw
	XSS3+5FJ	Countersunk screw
	XSS3+6FJ	Countersunk screw
	XSS4+40FJ	Countersunk screw
	XST3+6FN	Screw-truss
	XST4+10FN	Screw-truss
	XST4+8FN	Screw-truss
	XST5+10FN	Screw-truss
	XUC3VW	E-ring
	XUC4VW	E-ring
	XUC7VW	E-ring
	XVE4B15FJ	Cap-bolt
	XVG8A20FJ	Bolt
	XWA3BFJ	Spring washer
	XWA4BFJ	Spring washer
	XWA5BVW	Spring washer
	XWA8FJ	Spring washer
	XWE25FJ	Washer
	XWE3FJ	Washer
	XWE5FJ	Washer
	XWE8FJ	Washer
	XWG3FJ	Spring washer
	XWG4FJ	Spring washer
	XXE4B4	Screw-bind
	XYN2+C12FJ	Screw-pan
	XYN2+C6FJ	Screw-pan
	XYN3+C10FJ	Screw-pan
	XYN3+C14FJ	Screw-pan
	XYN3+C16FJ	Screw-pan
	XYN3+J25FJ	Screw-pan
	XYN3+C35FJ	Screw-pan
	XYN3+C6FJ	Screw-pan

19

Sensor PCB kit 1

UD-S*7900001

Ckt.No	Parts No.	Part Name
	501-UD710A013J	PT123 board
	501-UD710A014BJ	LED123 board
	501-UD710A015J	PT567 board
	501-UD710A016BJ	LED567 board
	501-UD710A020J1	Upper Sensor
	501-UD710A020J2	Lower Sensor
	501-UD710A020J6	Position Sensor

*:A for USA/E for Europe/J for Japan

20

Guide Roller set

UD-S*7900004

Ckt.No	Parts No.	Part Name
	710A0116	Magazine Pressure Roller
	710A0117	Roller Pressure Spring

*:A for USA/E for Europe/J for Japan

21

Sensor PCB kit 2

UD-S*7900035

Ckt.No	Parts No.	Part Name
	501-UD710A017J	SR-PT PCB
	501-UD710A018J	SR-LED PCB
	501-UD730A012J	SR-PT PCB

*:A for USA/E for Europe/J for Japan

22

O-ring set

UD-S*7900047

Ckt.No	Parts No.	Part Name
	B2401-1AP20	O-ring
	B2401-1AP46	O-ring

*:A for USA/E for Europe/J for Japan

23

Switch set

UD-S*7900026

Ckt.No	Parts No.	Part Name
	K0AALFK00001	Switch
	K0YZ00000082	ACCESSORY FOR SWITCH
	UDH7900013B1	LED-Switch cable
	Z-15HQ	Micro switch
	Z-15GM	Micro switch
	VX-01-1A2	Micro switch
	VAL2	Actiator

24

Silicone Rubber for Convergence Tube

UD-S*7900006

Ckt.No	Parts No.	Part Name
	700-13338G-K	Silicone Rubber

25

Fuse set

UD-S*7900048

Ckt.No	Parts No.	Part Name
	K5D102BK0003	fuse 1A for motor
	ET6.3A	fusse 6.3A for main power
	K5D312BK0003	fuse 3.15A for OUTLET

26

Protect glass

UD-S*7900007

Ckt.No	Parts No.	Part Name
	710A0244	Protection glass

27

Push-up Rod guide kit

UD-S*7900014

Ckt.No	Parts No.	Part Name
	710A0082	
	710A0083	
	710A0084	

28

Speed reductor unit

UD-S*7900034

Ckt.No	Parts No.	Part Name
	RB25-40	Speed reductor
	730A0027KNH2	Longitudinal feed gear
	XPL4A28W	Springpin

29

Sensor PCB set

UD-S*7900020

Ckt.No	Parts No.	Part Name
	501-UDP790055-J1	
	501-UDP790055-J2	
	501-UD730A011J	

30

Heating Lamp

UD-S*7900044

Ckt.No	Parts No.	Part Name
	700-13338G-K	Heating Lamp

31

FAN set

UD-S*7900027

Ckt.No	Parts No.	Part Name
	UDH7900027-1	FAN(Lower)
	UDH7900028-1	FAN(Upper)
	09325F/45	FAN guard
	08132	FAN filter
	UDH7900047-1	PMT FAN Cable
	109-1003G	FAN guard