

Panasonic®

PARTS LIST

UD-736

Parts and List Available through:



List is a reproduction

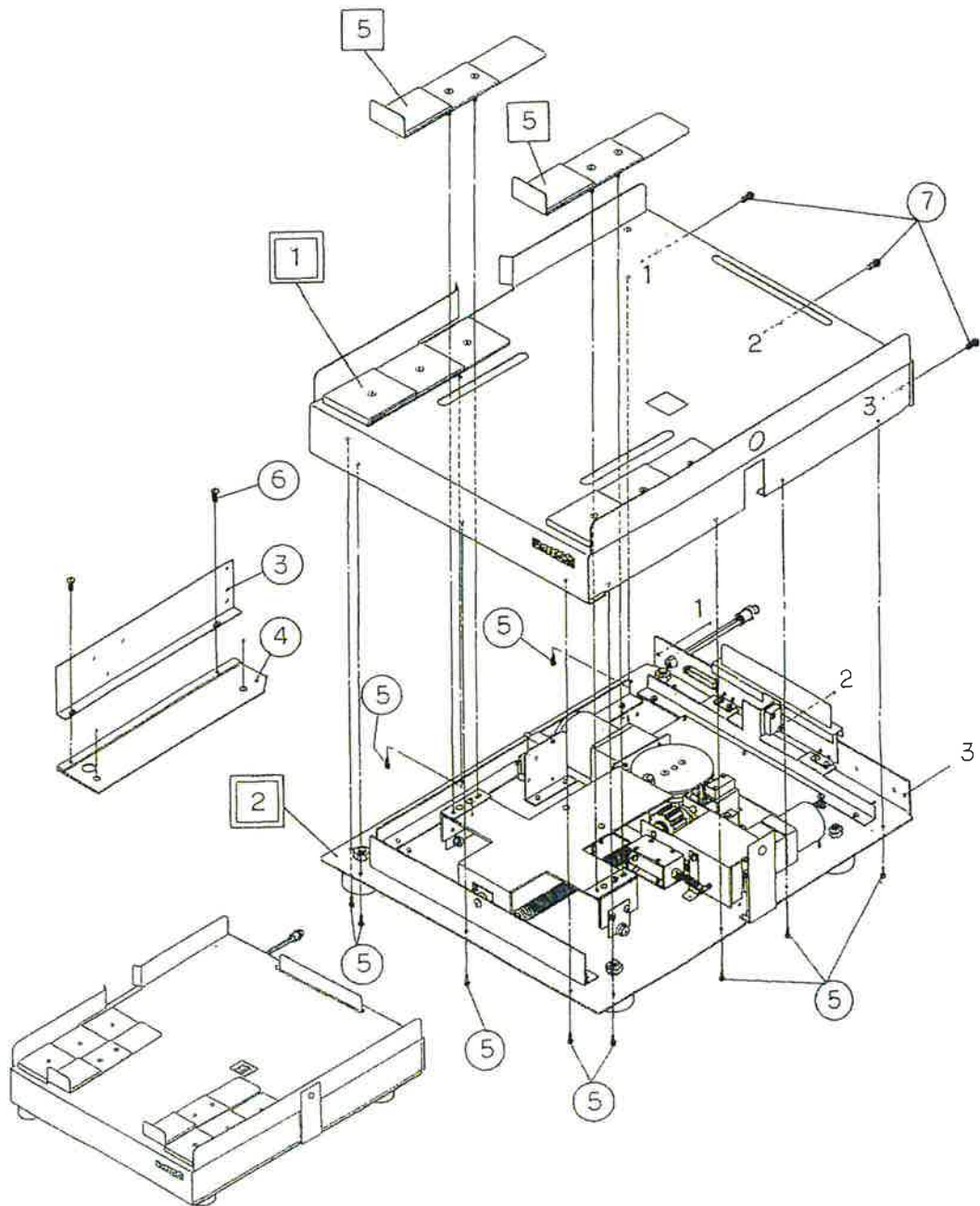
Panasonic Communications Co., Ltd.

UD-736 PARTS LIST

0	UD-736 ASSEMBLY	1
1	MAGAZIN RACK SECTION	3
2	MECHANICAL SECTION	5
2	SLIDER UNIT	7
2	CRANK UNIT	9
3	MAGAZINE DRIVE UNIT	11
4	MAGAZINE DETECTION UNIT	13
5	PUSH PLATE UNIT	15
6	SCREW SET	17
7	ACCESSORIES	17
8	HARNES SET	17

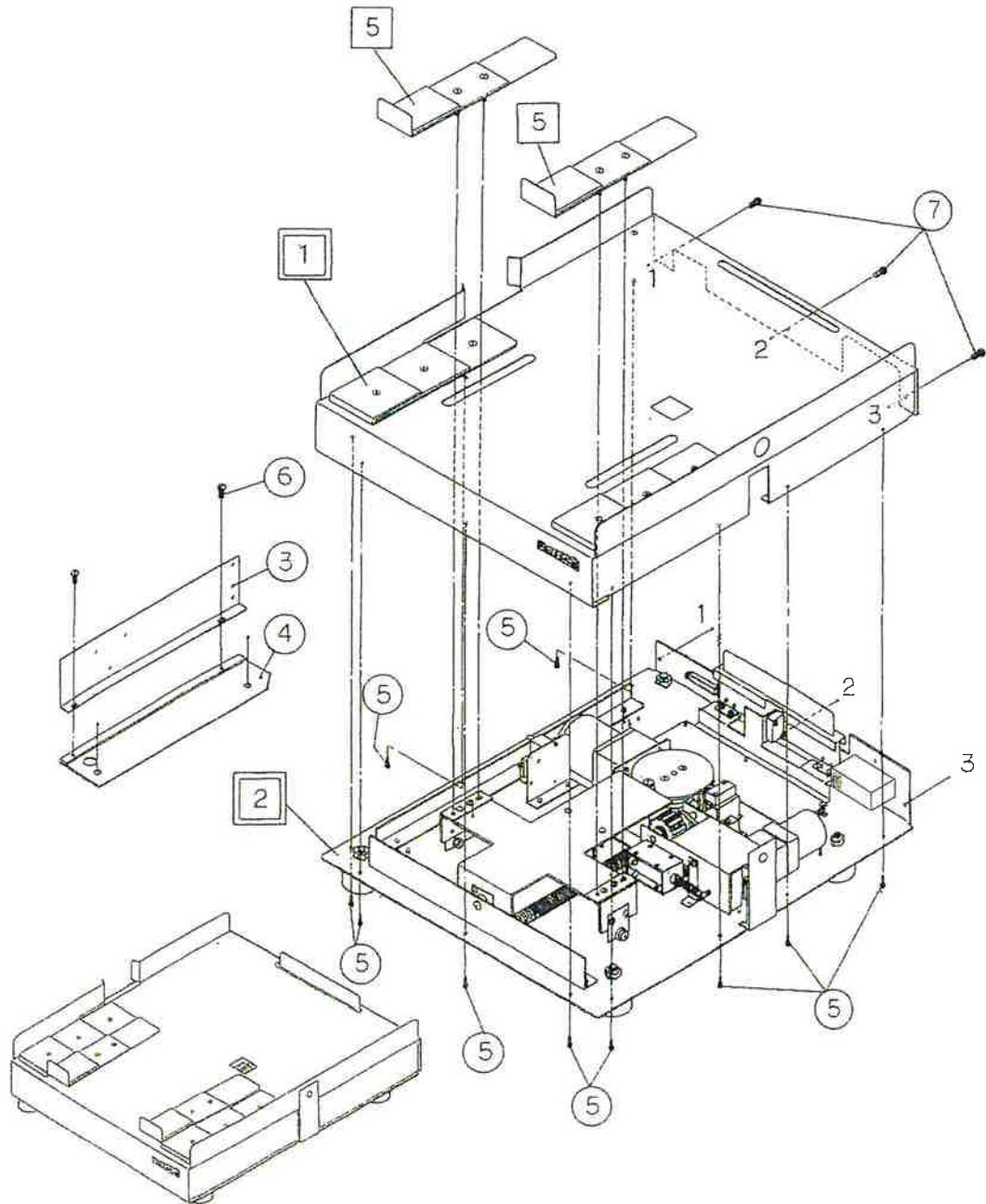
OLD

UD-736 ASSEMBLY
(全体組図)

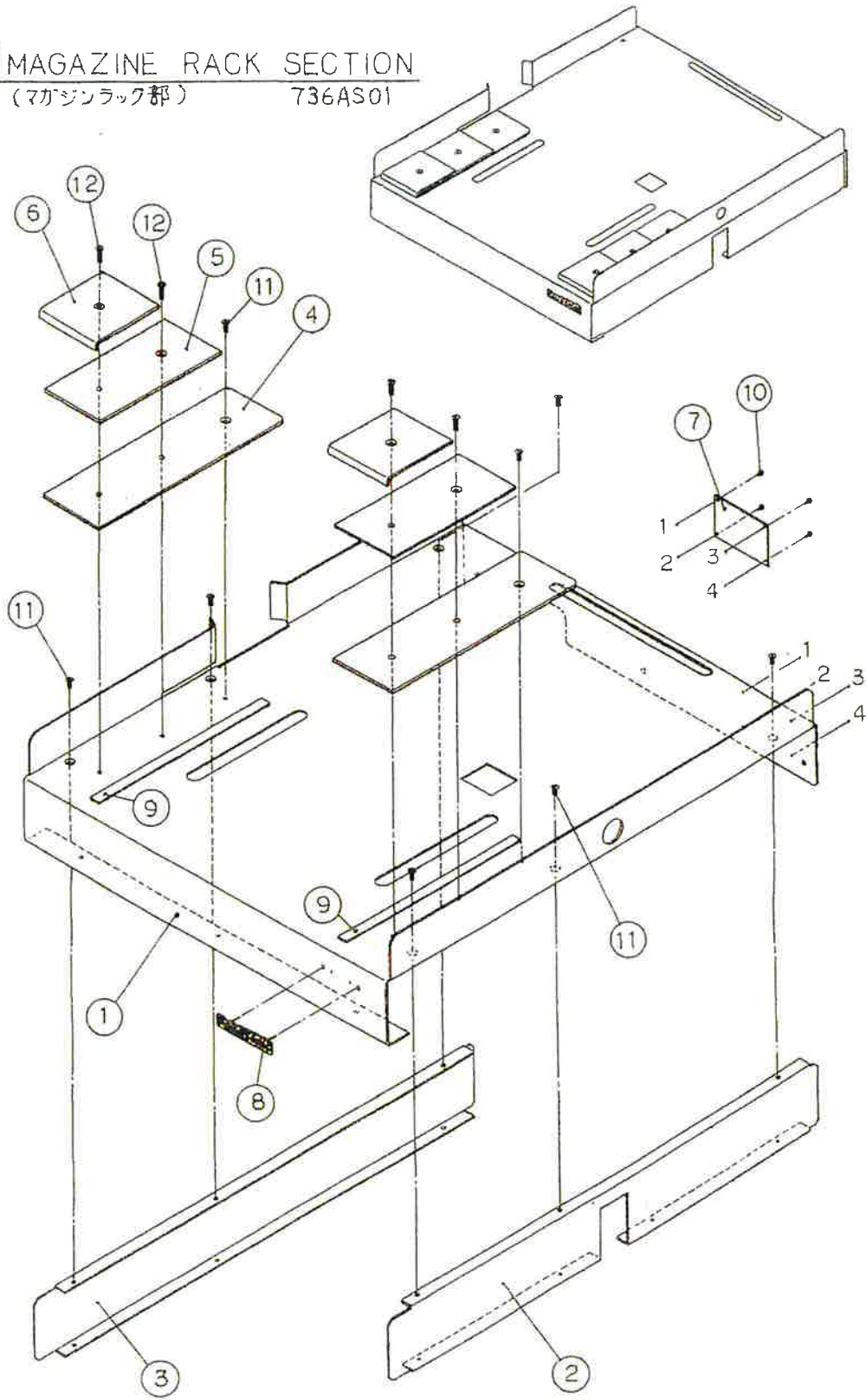


CURRENT

UD-736 ASSEMBLY
(全体組図)

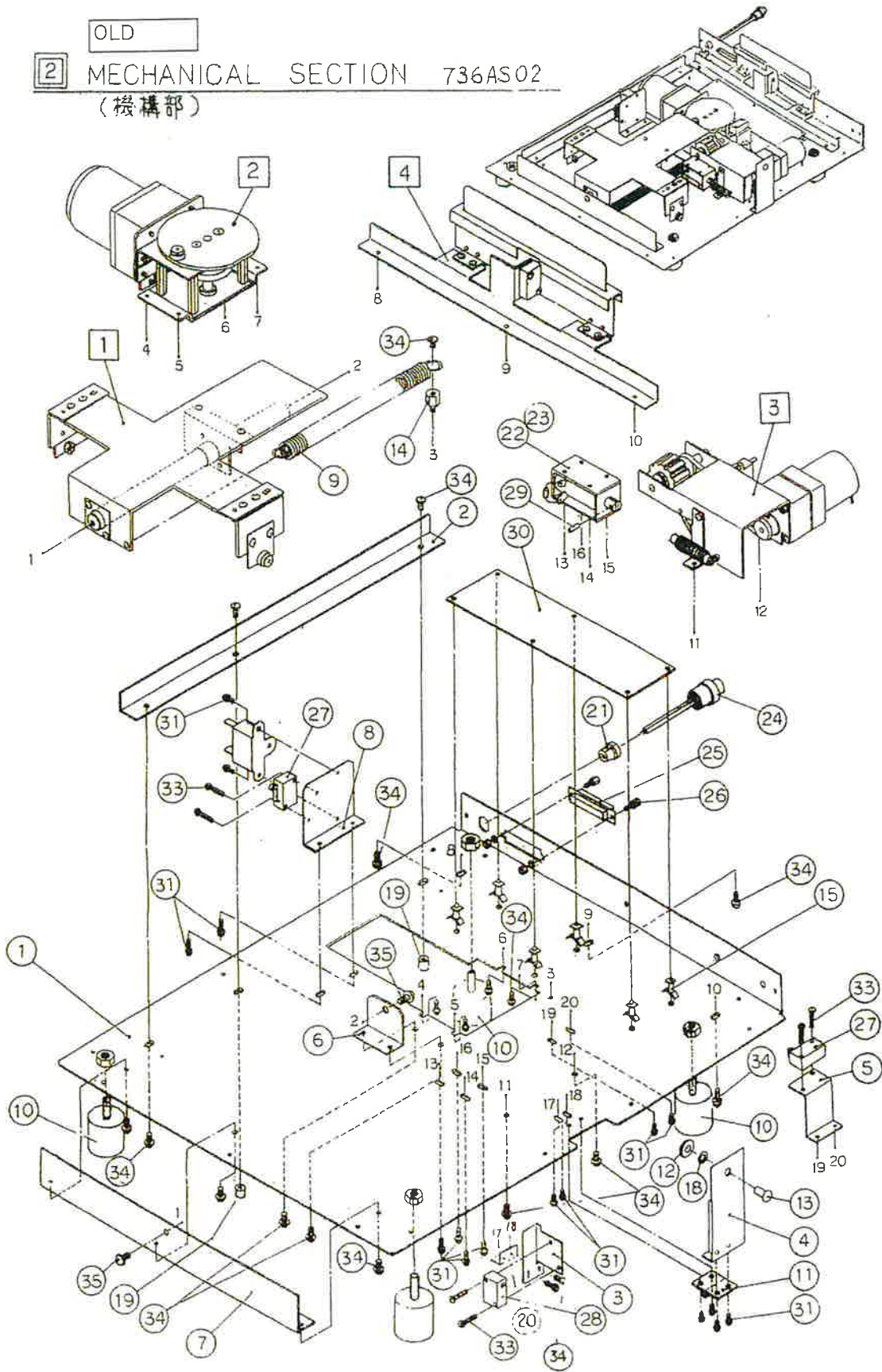


1 MAGAZINE RACK SECTION
(マガジンラック部) 736AS01



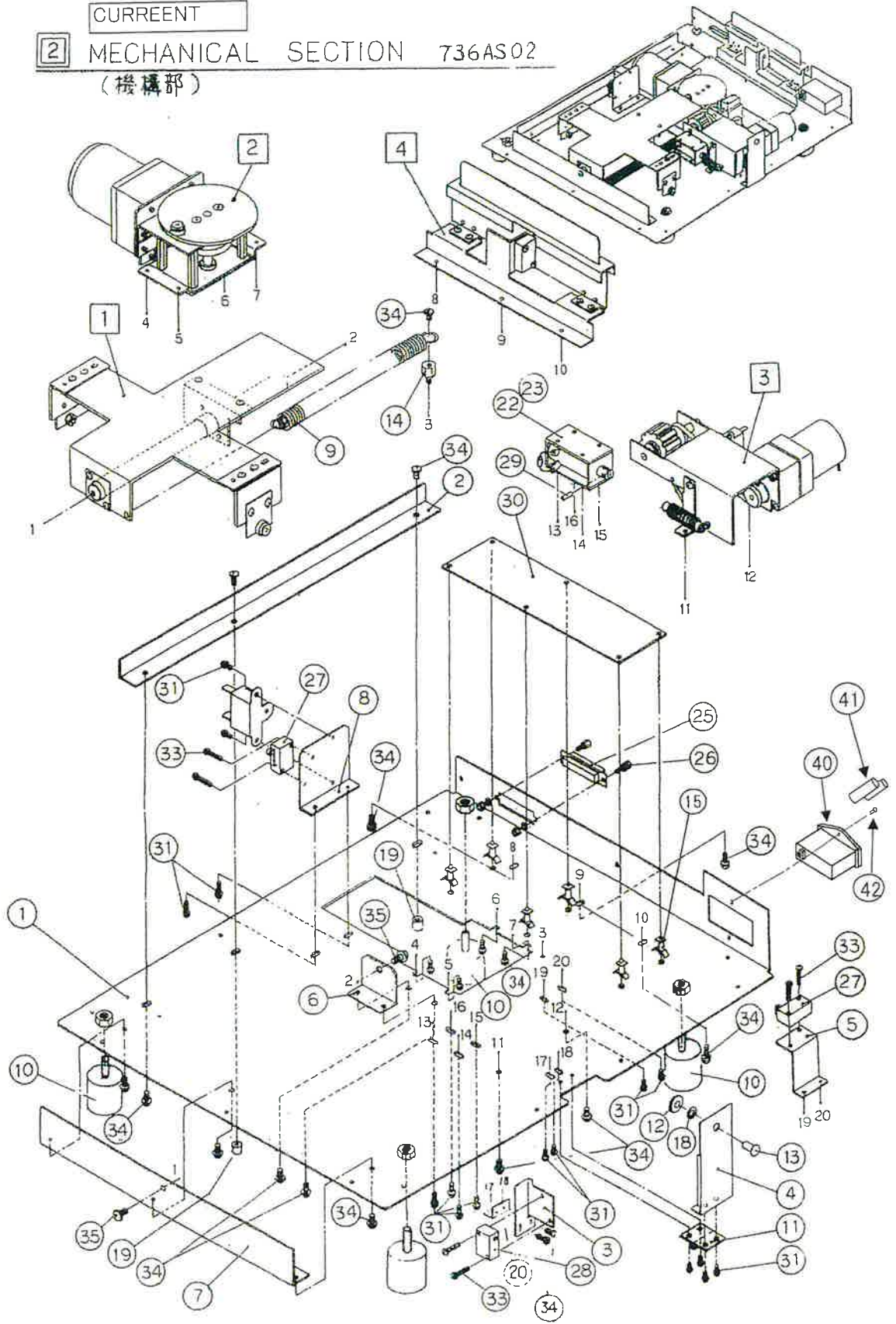
OLD

2 MECHANICAL SECTION 736AS02
(機構部)



CURRENT

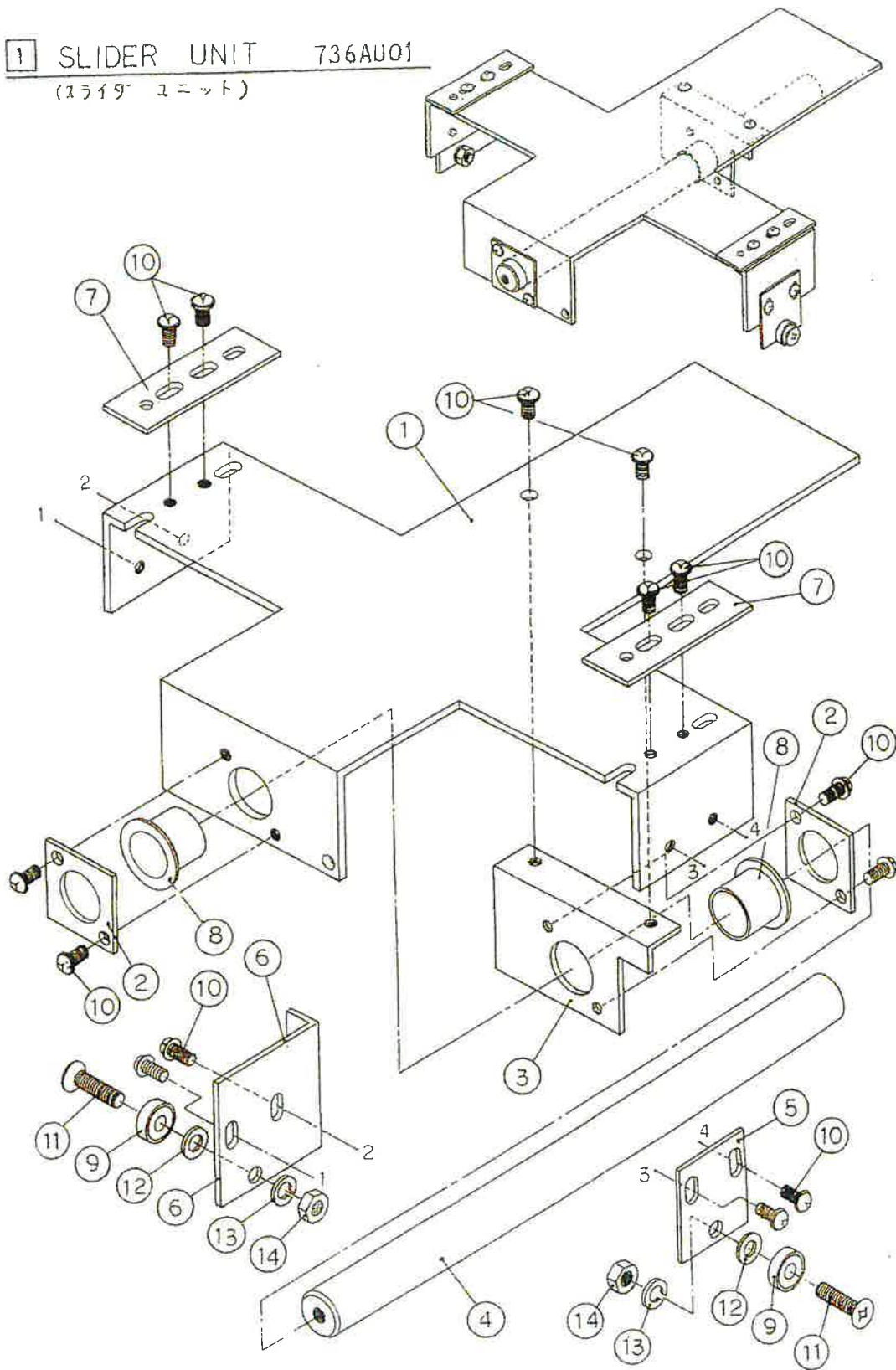
2 MECHANICAL SECTION 736AS02
(機構部)



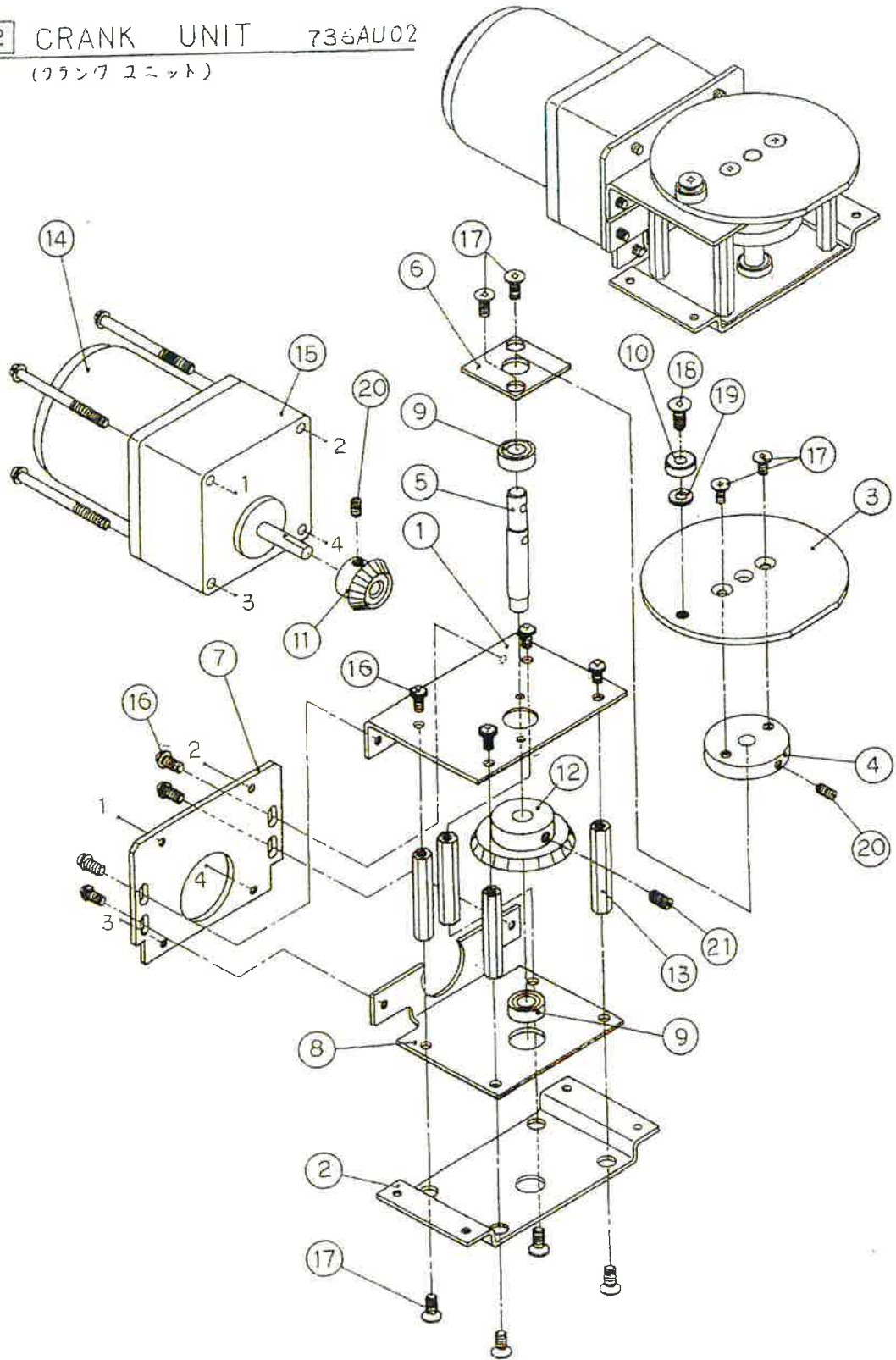
2 MECHANICAL SECTION 736AS02

Ckt.No.	Parts No	Part Name
1	736A0002-5	BOTTOM PLATE
1-1	736A0002-5A	BOTTOM PLATE
2	736A0010-2	FRAME
3	736A0024-3	LS.MOUNT
4	736A0025-1	PLATE
5	736A0033-1	L.S.MOUNT
6	736A0040-1	SHAFT MOUNT
7	736A0041-1	FRAME
8	736A0045-3	L.S.MOUNT
9	736A0049	SPRING
10	C-285-4	ADJUSTER LEG
11	B-1046-3	HINGE
12	DS-6	CAP-NUT
13	φ 6 - I6	RIVET
14	SB8M4-10-BS	SPACER
15	KGLS-3S	SAPORT
16		
17		
18	141020141006	WASHER
19	SN4-10	NUT
20	736A0062	MOUNTING PLATE
21	KF-41	CORD BUSH
22	SDC-0953	SOLENOID
23	1SR35-400	DIODE
24	WL2032	CABLE
25	JBZ-25P	CONNECTOR with harness
26	JFS-2.6S-BIN	SPACER
27	AH7155360	LIMIT-SWITCH
28	AH7150360	LIMIT-SWITCH
29	XPL3A10VW	SPRING-PIN
30	736A-001J	P.C.BOARD
	736A-001J	P.C.BOARD with sheet
31	XYN3+J6FJ	
32	XYN3+J10FJ	
33	XYN3+J16FJ	
34	XYN4+J8FJ	
35	XYN5+J10FJ	
40	FN284-4-06	AC-inlet f with ZNR harness set
41	ET-2A	Fuse (AC250V 2A UL CSA timela
42	XSS3+8FN	
	HN736-HARNESS	Internal harness set

1 SLIDER UNIT 736AU01
 (スライダ ユニット)

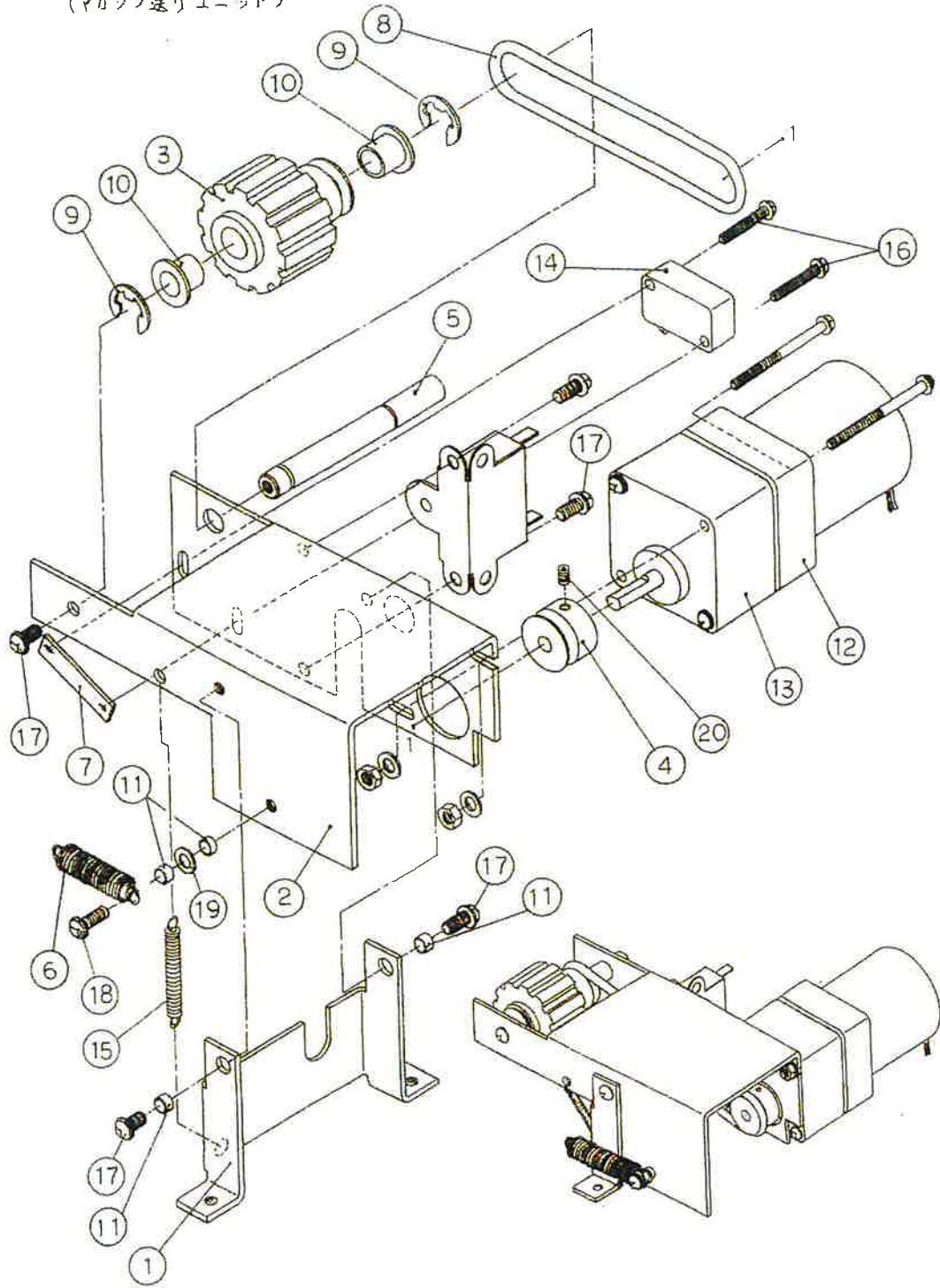


2 CRANK UNIT 736AU02
 (クランクユニット)

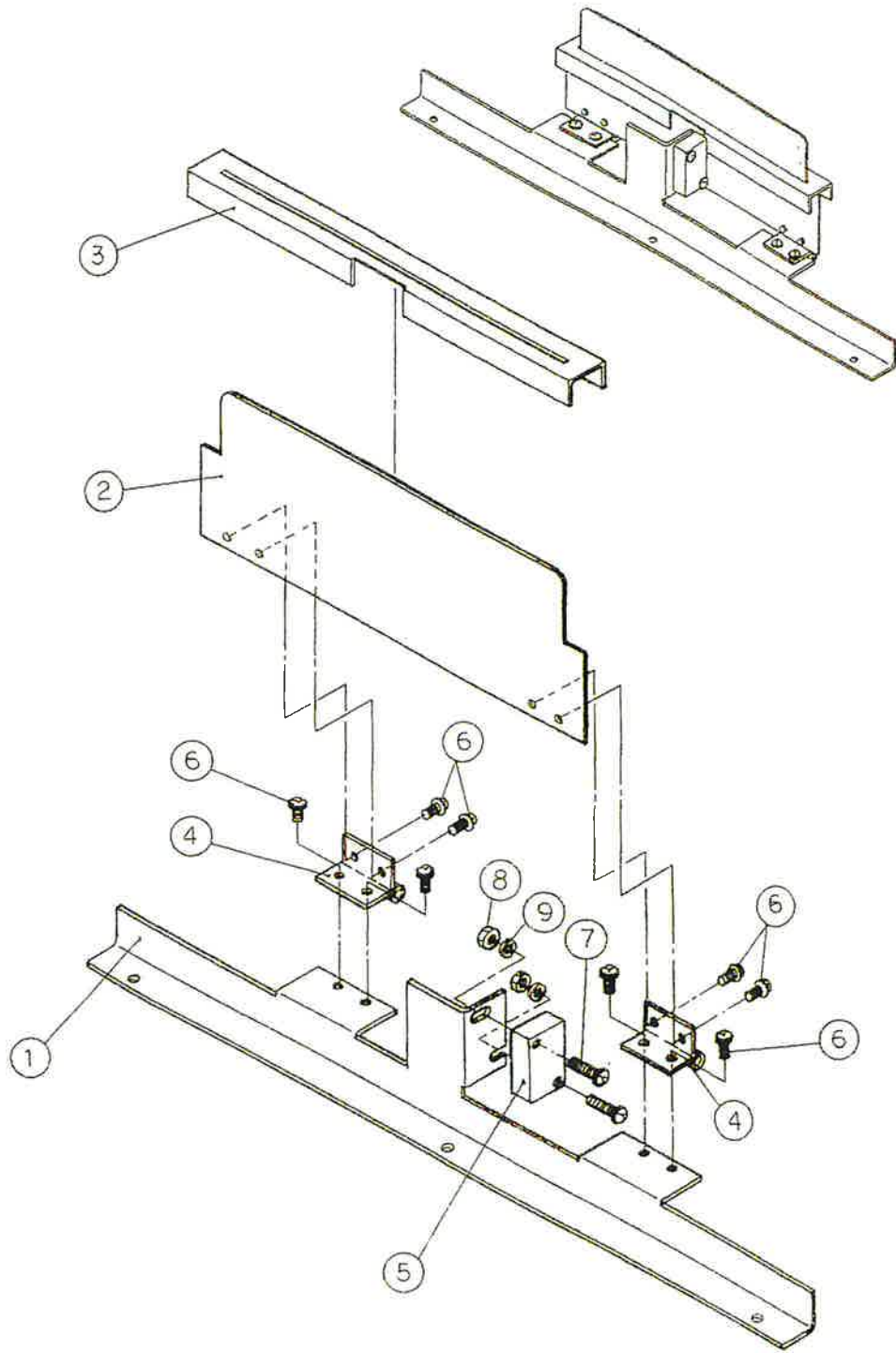


3 MAGAZINE DRIVE UNIT 736AU03

(マガジン送りユニット)

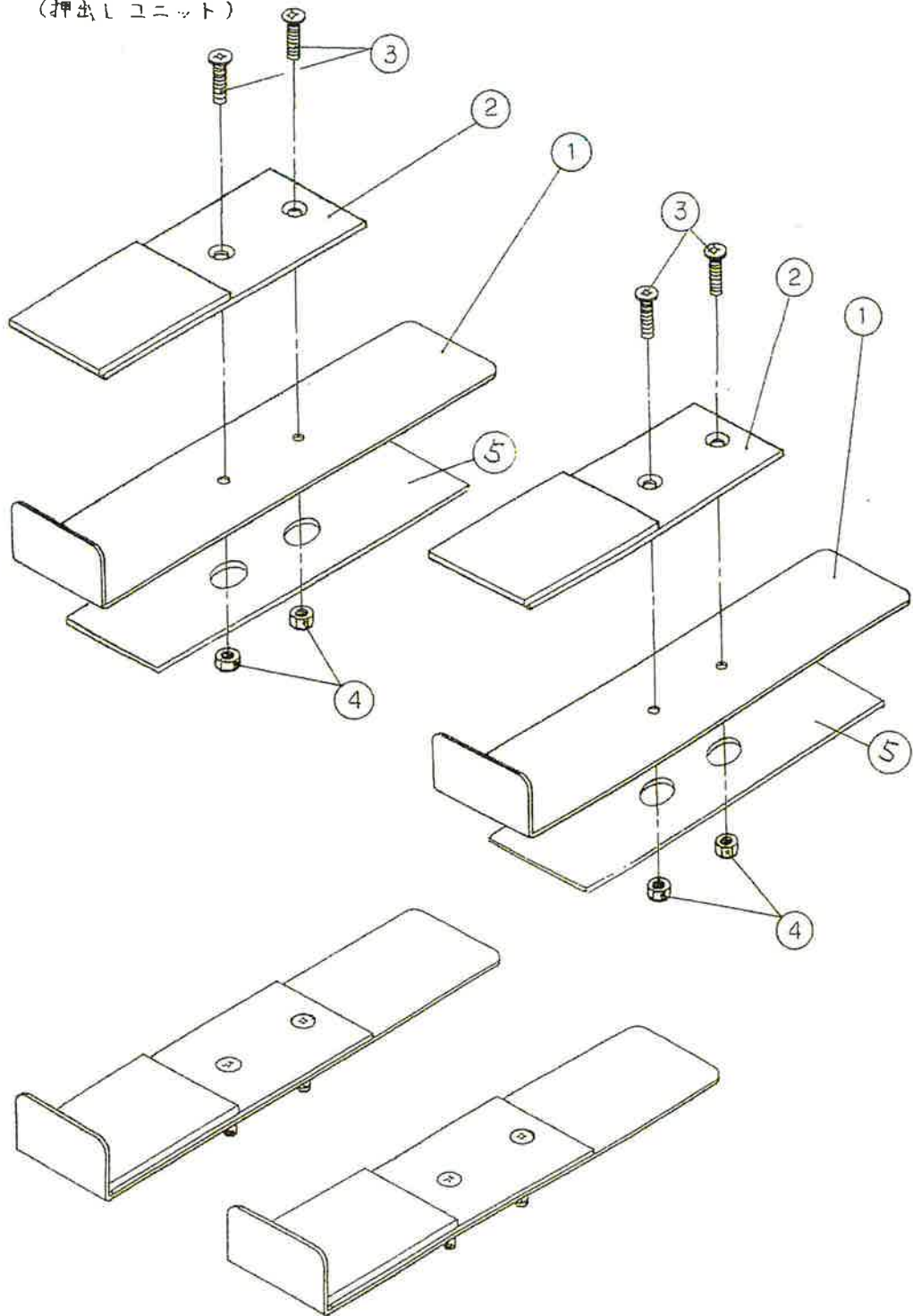


4 MAGAZINE DETECTION UNIT 736AU04
(マガジン検出ユニット)



5 PUSH PLATE UNIT 736AU05

(押し出しユニット)



6 SCREW SET

Ckt.No.	Parts No	Part Name
	CCE5D6	SCREW BIND
	NO.10	SPRING
	XYN4+J8FJ	SCREW PAN
	XNG3EFN	NUT
	XNG4FJ	NUT
	XNG5FJ	NUT
	XSN2+5FN	SCREW PAN
	XSS3+12FN	DITTO
	XSS3+8FN	SCREW FLAT
	XSS4+20FN	SCREW-FLAT
	XSS4+8FN	SCREW FLAT
	XSS5+12FN	SCREW FLAT
	XSS5+20FN	SCREW FLAT
	XST4+10FN	SCREW-TRUSS
	XST5+10FN	SCREW-TRUSS
	XWA3	SPRING WASHER
	XWA5	SPRING WASHER
	XWE4	WACHER
	XWE5	WASHER
	XXE4D6	SCREW BIND
	XXE5D8	SCREW BIND
	XYN3+J10FJ	SCREW-PAN
	XYN3+J16FJ	SCREW-PAN
	XYN3+J20	SCREW-PAN
	XYN3+J6FJ	SCREW-PAN
	XYN4+J10	SCREW-PAN
	XYN4+J12	SCREW-PAN
	XYN4+J8FJ	SCREW PAN
	XYN5+J10FJ	SCREW-PAN

7 ACCESSORIES

Ckt.No.	Parts No	Part Name
	ET-2A	Fuse (AC250V 2A UL CSA timelag)
	3010ACCD	AC CABLE (UL, CSA)
	HN736-N50	I/F CABLE

8 HARNESS SET

Ckt.No.	Parts No	Part Name
	HN736-HARNESS	Internal harness set