

Panasonic[®]

PARTS LIST

UD-716AGL13C

Parts and List Available through:



List is a reproduction

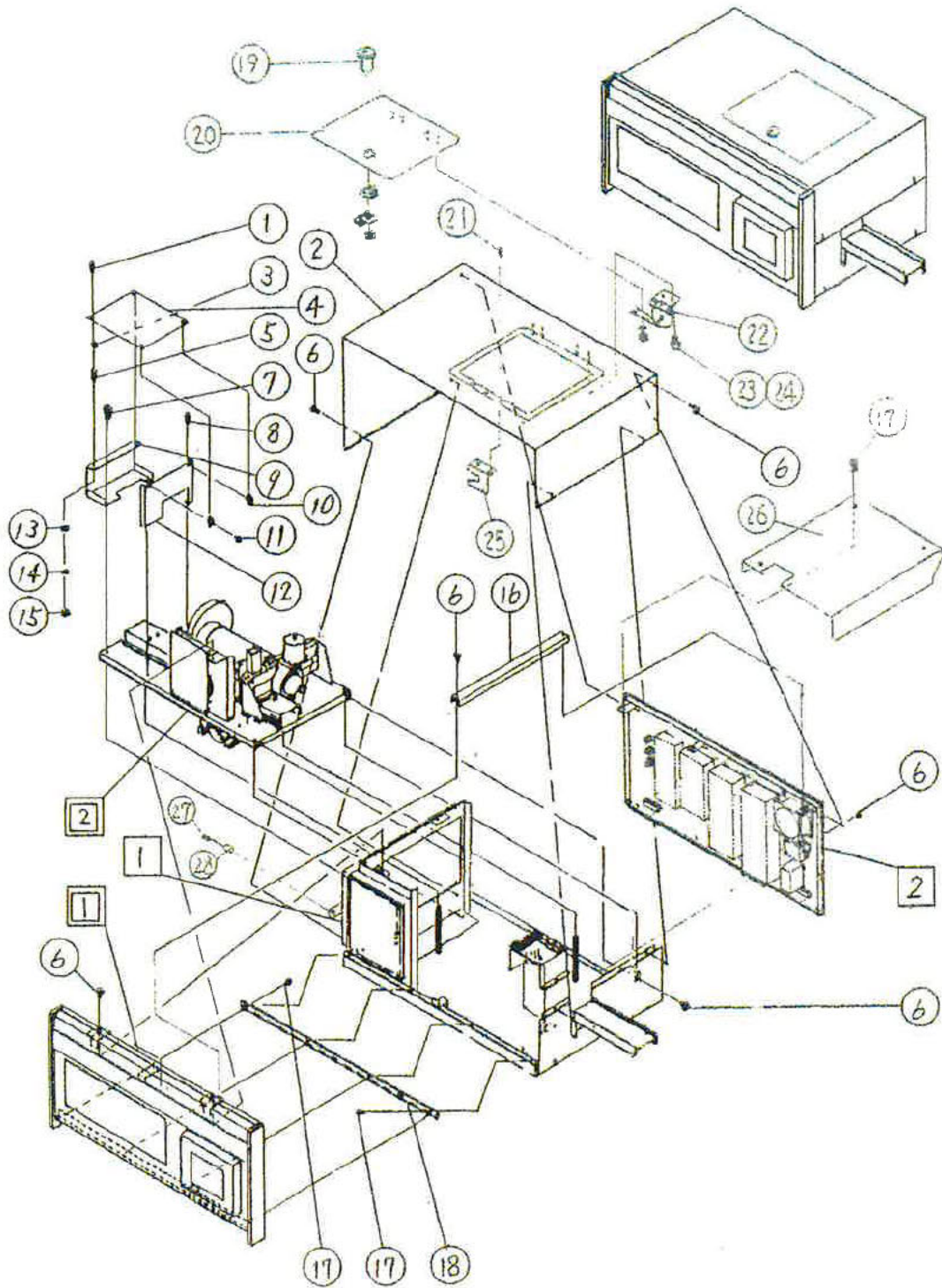
Panasonic Communications Co., Ltd.

UD-716 PARTS LIST

0	UD-716 ASSEMBLY _____	1
1	FRONT PANEL SECTION _____	3
1	BASE UNIT _____	5
2	BACK PANEL UNIT _____	7
3	LCD UNIT _____	9
5	FAN UNIT _____	11
2	MECHANICAL SECTION _____	13
6	MAGAZINE DRIVING UNIT _____	15
7	BADGE DRIVING SECTION _____	17
8	BADGE DRIVING MOTOR UNIT _____	19
10	HOUSING SECTION _____	21
11	PMT UNIT _____	23
12	MAIN HOUSING SECTION _____	25
13	LAMP UNIT _____	27
14	CARD CARRIER UNIT _____	29
15	CARRIER DRIVE UNIT _____	31
16	SCREW SET _____	34

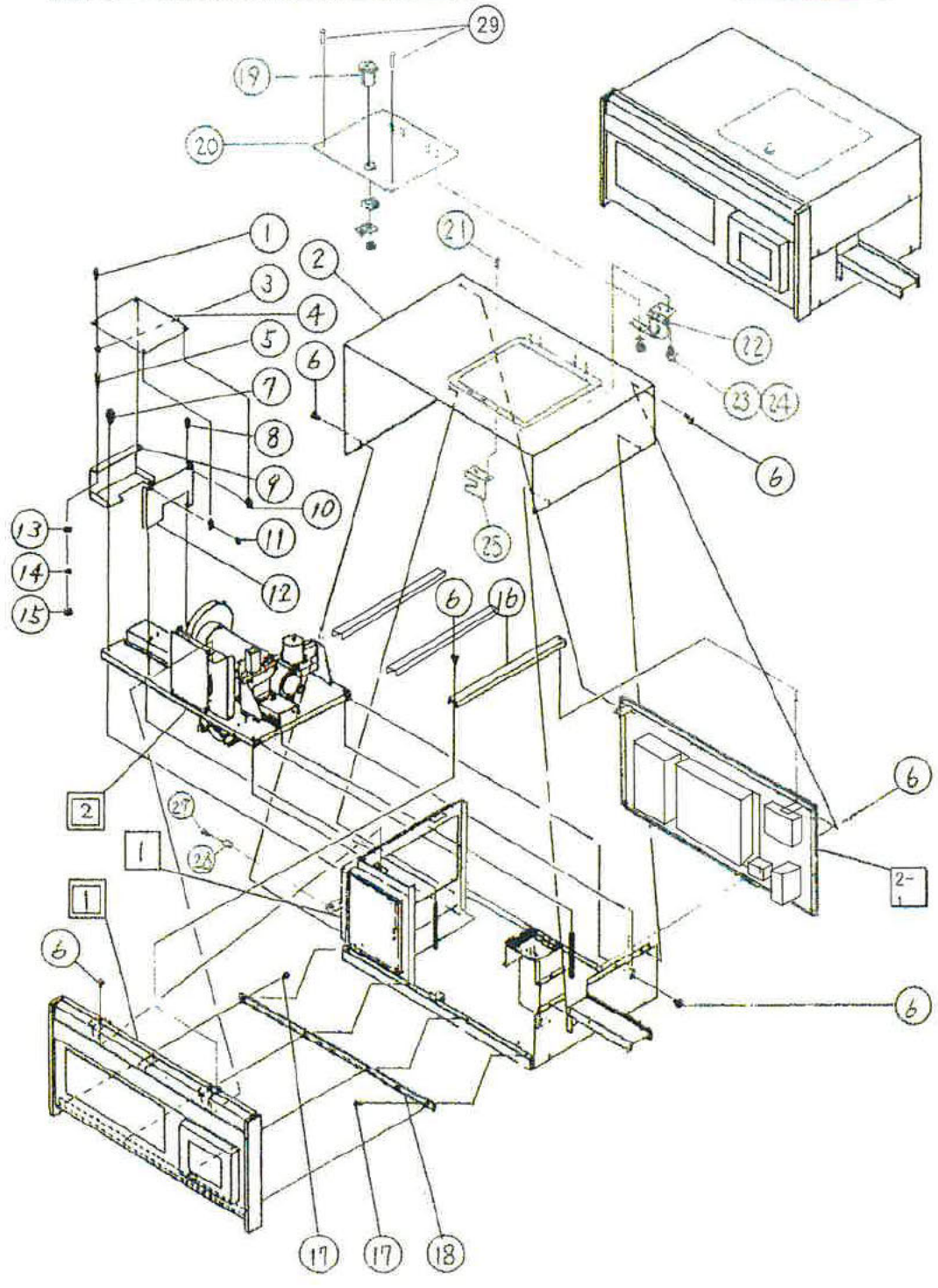
0 UD-716A ASSEMBLY

716 ASDO



UD-716A ASSEMBLY

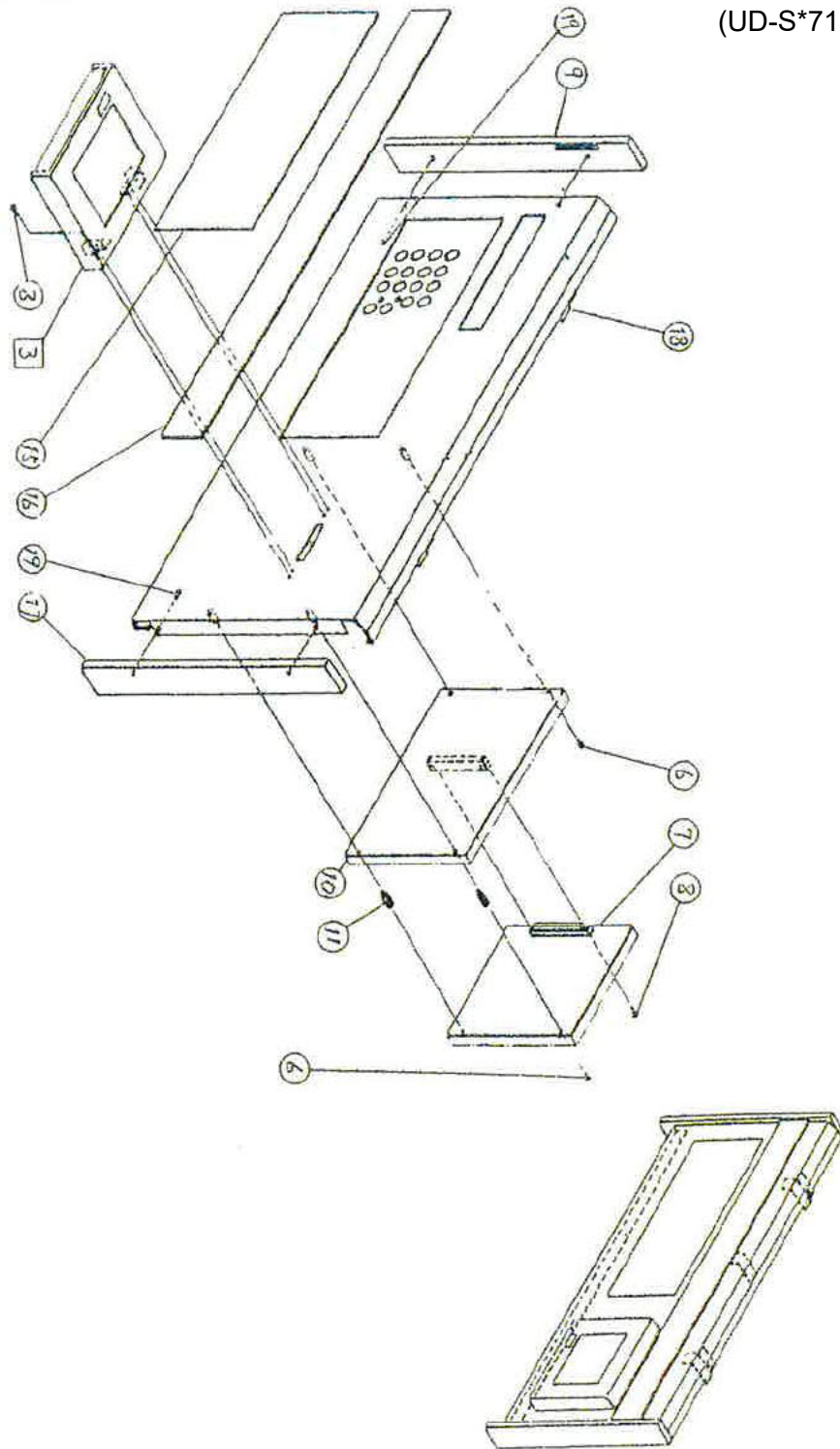
716 AS 00



1 FRONT PANEL SECTION

416 AS 01-1

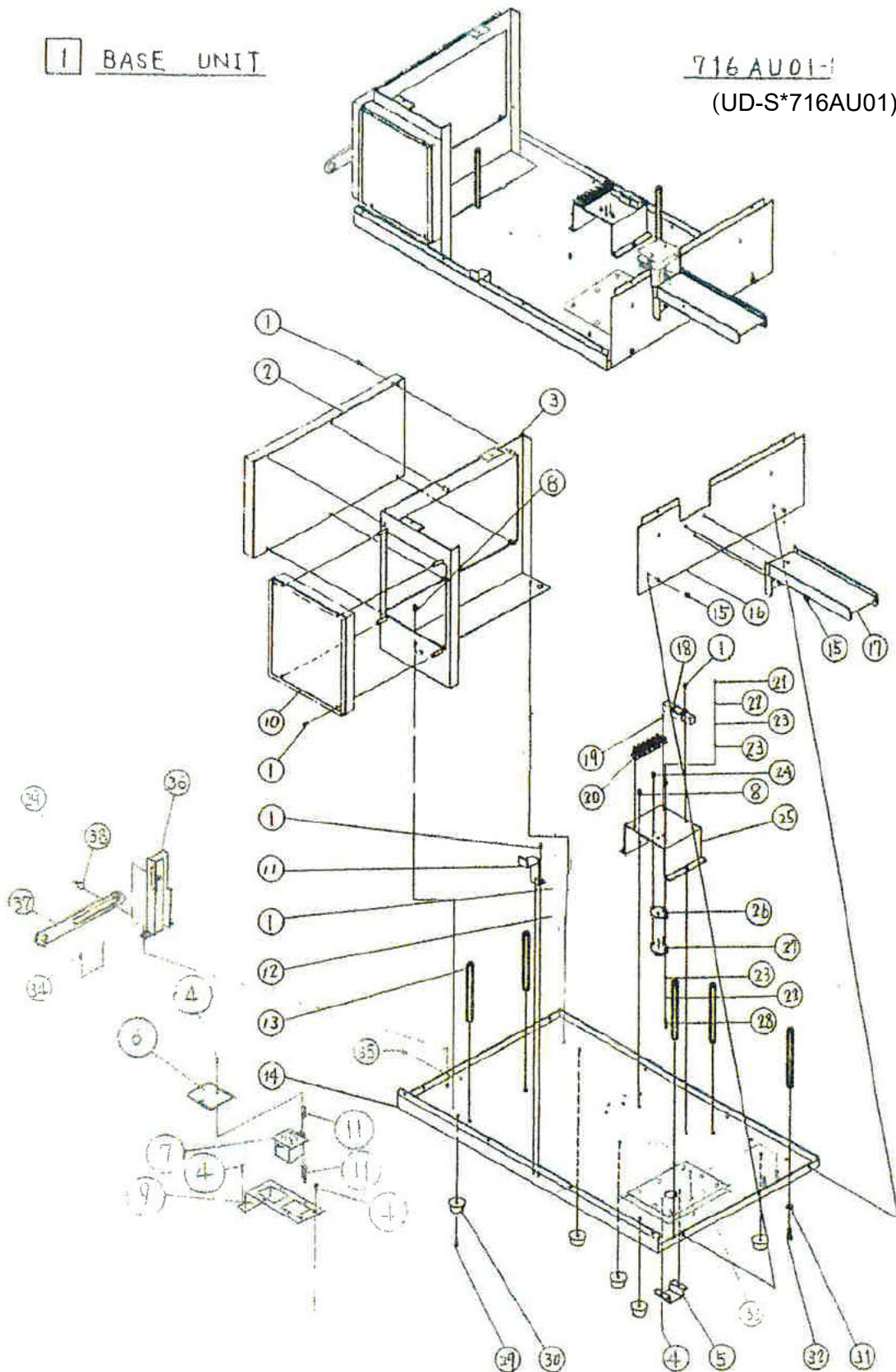
(UD-S*716AS01)



UD-716 SPARE PARTS LIST

1 BASE UNIT

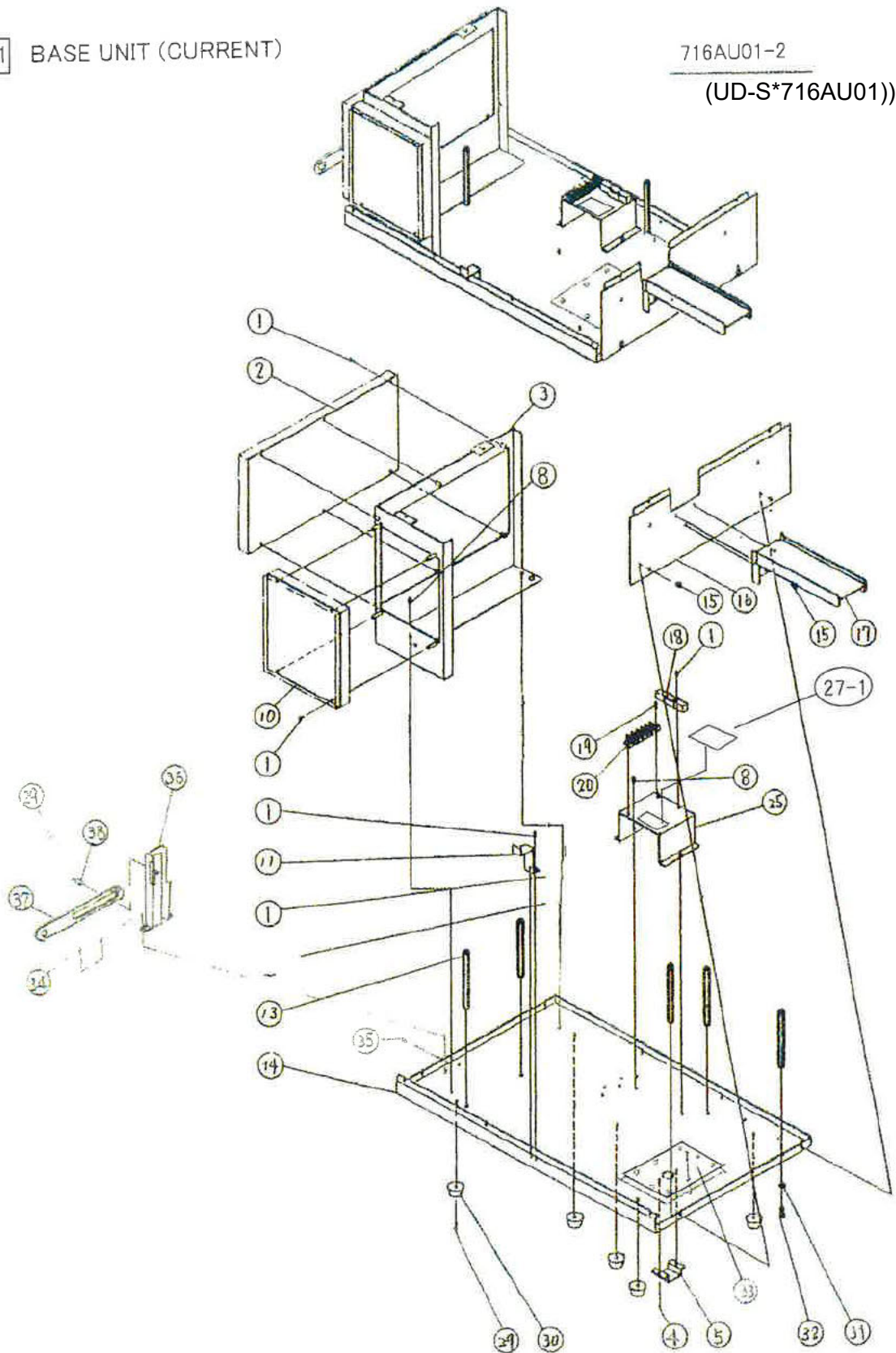
716AU01-1
(UD-S*716AU01)



UD-716 SPARE PARTS LIST

1-1 BASE UNIT (CURRENT)

716AU01-2
(UD-S*716AU01))



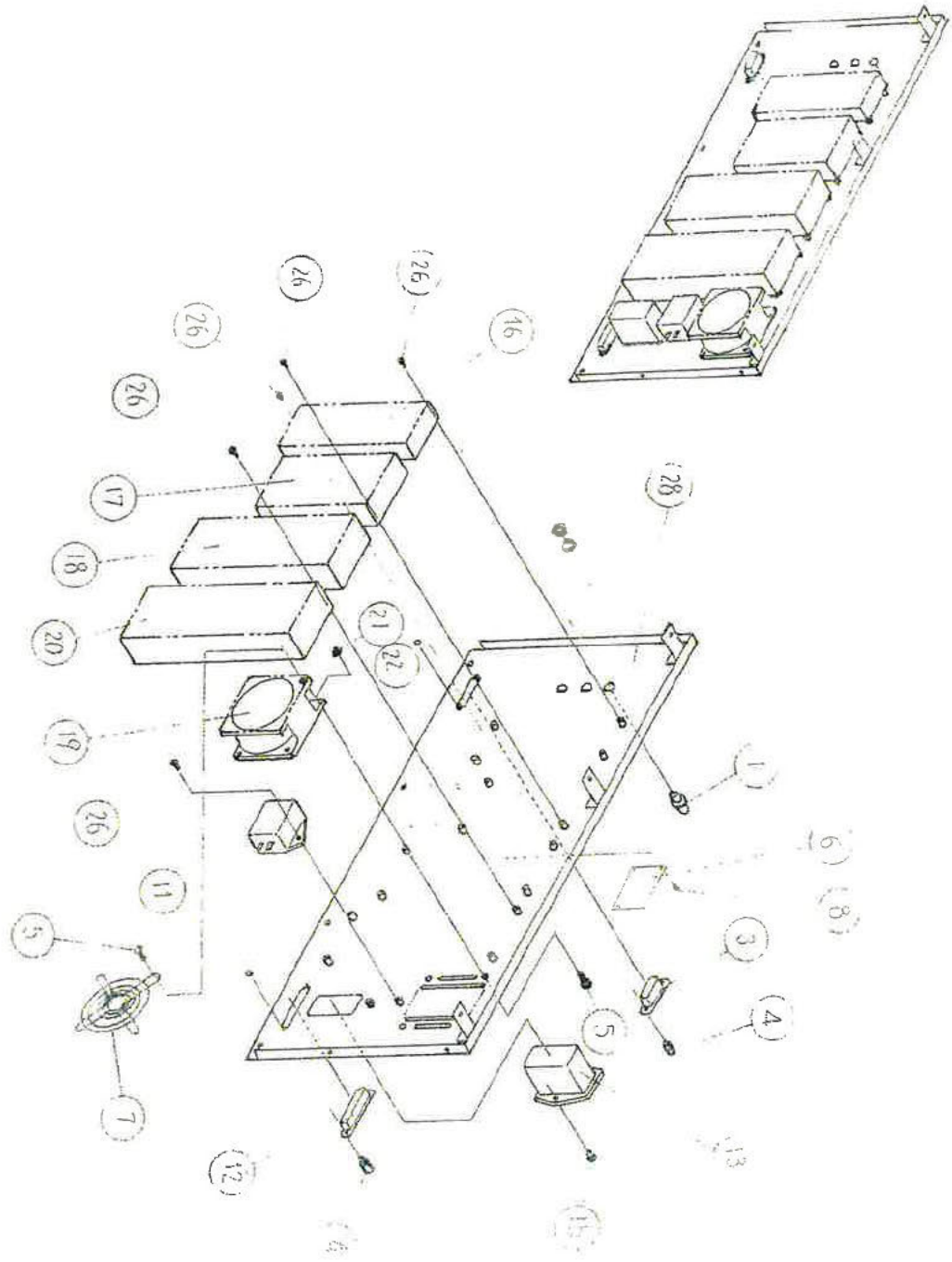
UD-716 SPARE PARTS LIST

1 BASE UNIT (UD-S*716AU01)

Ckt.No.	Parts No	Part Name
1	716AU01-1	Base unit
1-1	716AU01-2	Base unit
1	XYN3+J8FJ	Screw-pan
2	705A-001BJ2	PC board
3	UDM716X004-3	Chassis
4	XYN3+6FJ	Screw-pan
5	UD-716N020-1	Rod cover
6	UDS716X033-2	Cover
7	SS20H1	Reactor
8	XYN4+8FJ	Screw-pan
9	UDM716X034-2	Reactor mount
10	512P-002AJ2	PC board
12	UD-716N016	Plate(B)
13	UD-716N103	Spacer
14	UDM716X001-5	Bottom plate
	UDM716X005-6	Bottom plate
15	XST4+8FN	Screw-truss
16	UDM716X006-3	Guide mount(white)
	UDM716X006-4	Guide mount(blue)
17	716M024-2	Magazine guide
18	ERF20HMK2R7	Resistance
19	XYN3+J12	Screw-pan
20	FD-02-5P-187	Terminal block
	T02B-5P	TERMINAL
21	XNG3GFN	Nut
22	XWA2AFN	Spring Washer
23	XWG3FN	Washer
24	NO. 24	Insulating tube
25	716M310-1	Radiator plate
26	NO. 19	Insulating tube
27	2SD750-Q	Transistor
27-1	UDP717X02BJ2	Transister curcuit board
28	XYN3+15FN	Screw-pan
29	XYN4+J10FJ	Screw-pan
30	TK-28	Rubber leg
31	XWA6A	Spring Washer
32	XVG6B16	Bolt
33	UD-716N021	Hole cover
	UD-716N021-1	Hole cover
34	XYN4+J8FJ	Screw-pan
35	XSS4+8FJ	Screw-flat
36	UD-716N023-2	F-panel stopper(2)
37	UD-716N022-1	F-panel stopper(1)
38	138230940040	Collar

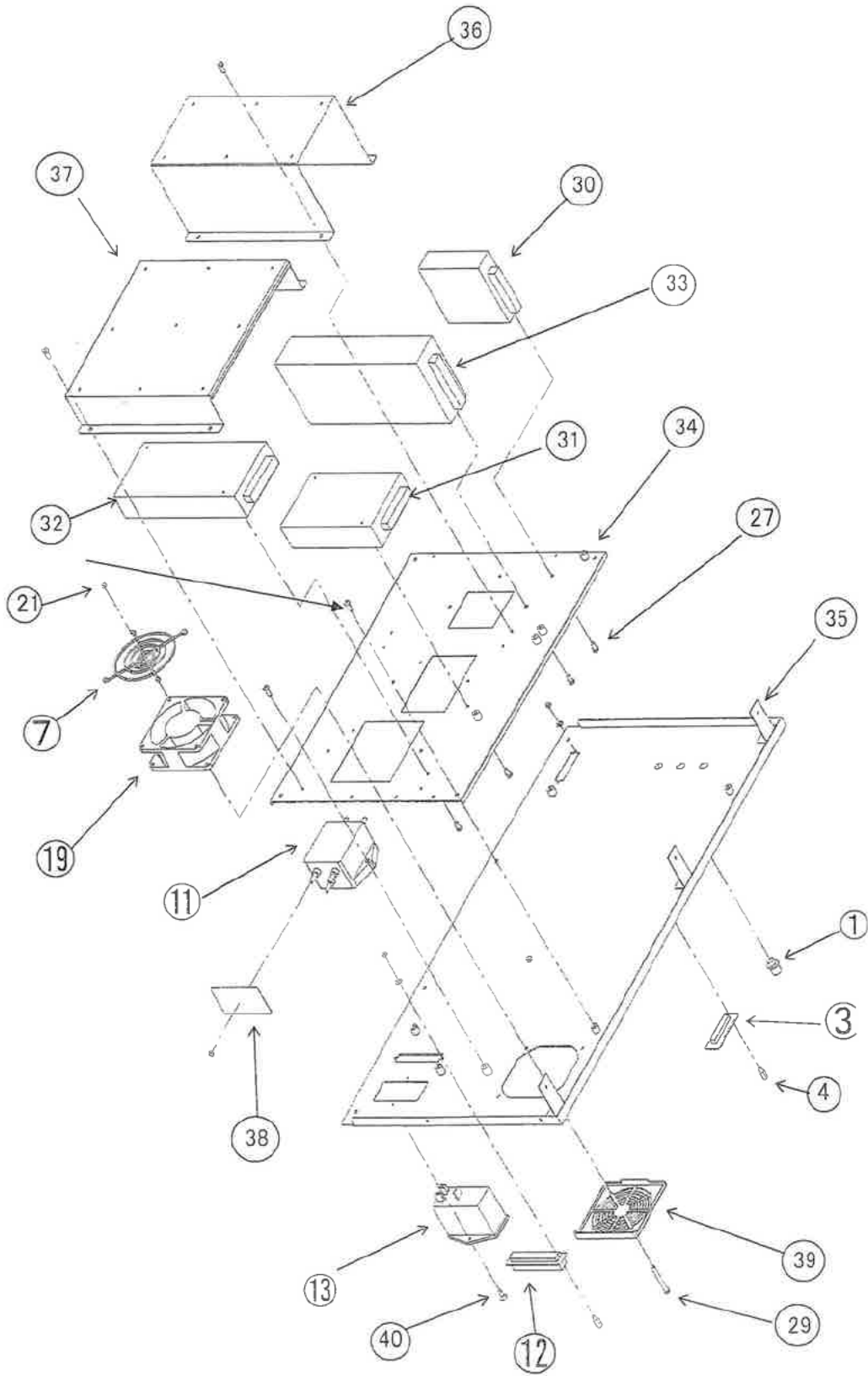
2 BACK PANEL UNIT (OLD)

(UD-S*716AU02)



BACK PANEL UNIT (NEW)

(UD-S*716AU02)

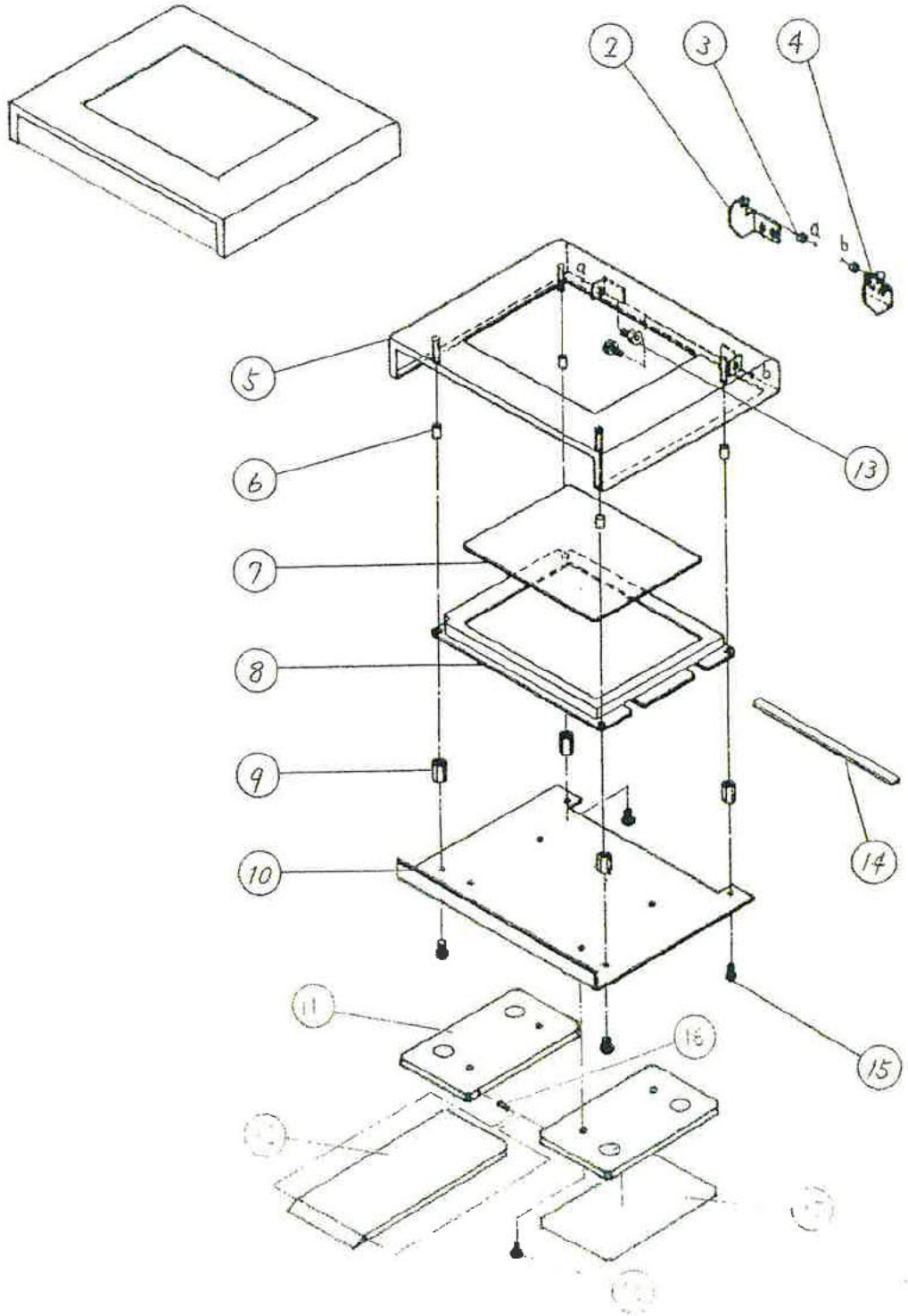


2 BACK PANEL UNIT (UD-S*716AU02)

Ckt.No.	Parts No	Part Name
2	716AU02-1	Back panel unit
2-1	716AU02-2	New Back panel unit
1	HN716-W20A	Signal Harness
2		
3	HN716-N24A	RS-232C Harness
4	JFS-2.6S-BIN	connector Bolt
5	XST4+10FN	Screw-truss
6	NP-AS01	Name plate
7	08132	Fan guard
8	XSN2+3FN	Screw-pan
9		
10		
11	PBF-1203-22	Noise filter
12	HN716-N33A	changer I/OHarness
13		AC inlet
14		
15	XSC3+6FN	Screw-oval
16	ZS30-5	Power supply
17	ZT30-5FF	Power supply
18	ZS50-5	Power supply
19	HN716-W15A	Harness (include AC FAN 109-040)
19-1	109P0824H202	DC FAN WITH CONNECTOR
20	ZS75-24	Power supply
21	XNG4G	Nut
22	XWA4A	Spring Washer
23		
24		
25		
26	XYN3+J6	Screw-pan
27	XYN3-5FJ	screw
28	UDM716X003-3	Back panel
29	XSS3-45FJ	screw
30	HWS15-5	Power supply
31	HWS50-5	Power supply
32	HWS80-24	Power supply
33	JWT75-5FF	Power supply
34	UDM716X201	Power supply base
35	UDM716X003-5	Back Panel
36	UDM716X203	Power supply cover 3
37	UDM716X202	Power supply cover 2
38	UDP794X04A	PRINTED BOARD
11	MBS-1210-22	LINE FILTER
13	FN1393100511	AC INLET
39	109-1003G	FAN GUARD
40	XSS3+5FJ	SCREW
41	POWER HARNESS	inner power harness set

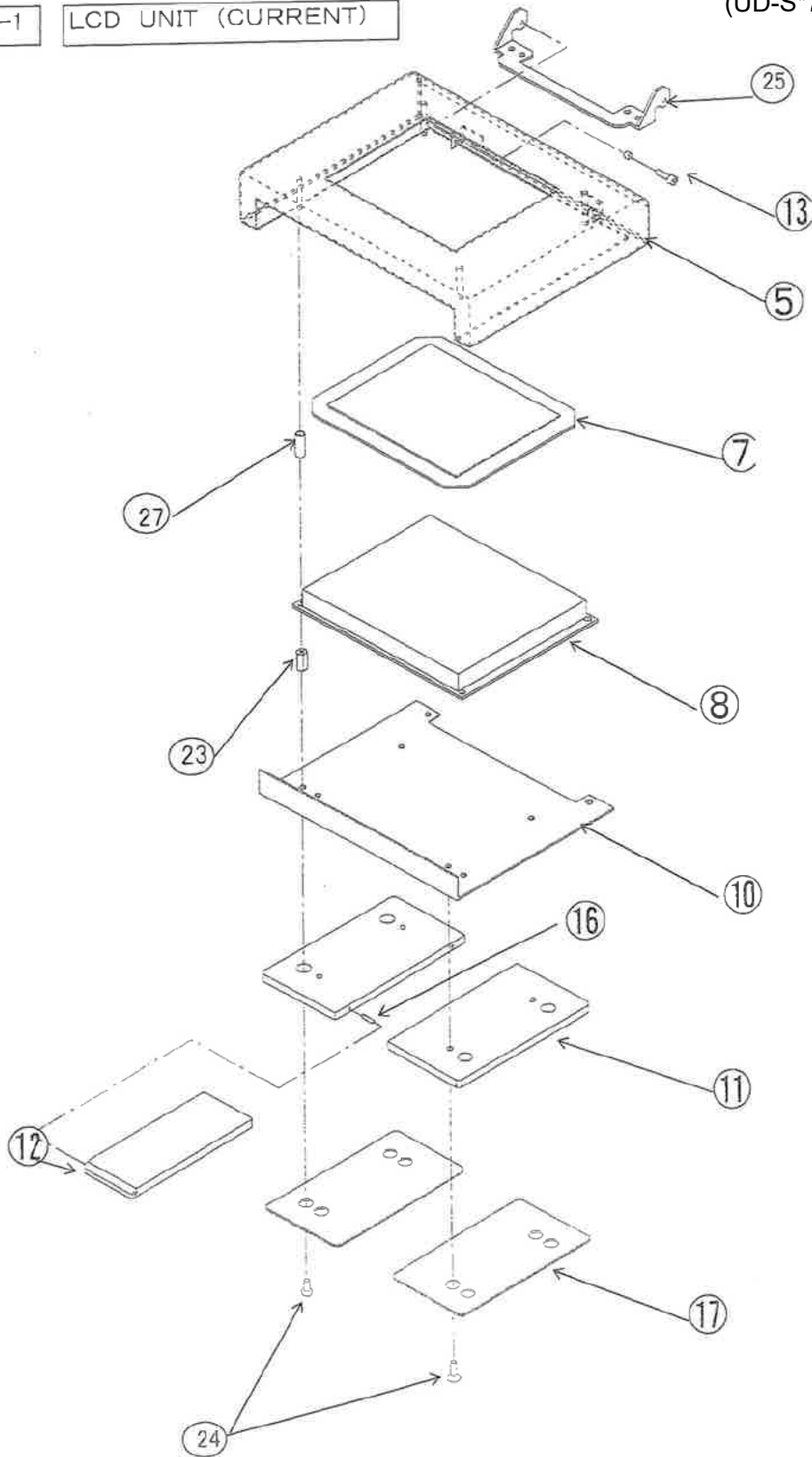
3 LCD UNIT (OLD)

716AU03-1
(UD-S*716AU03)



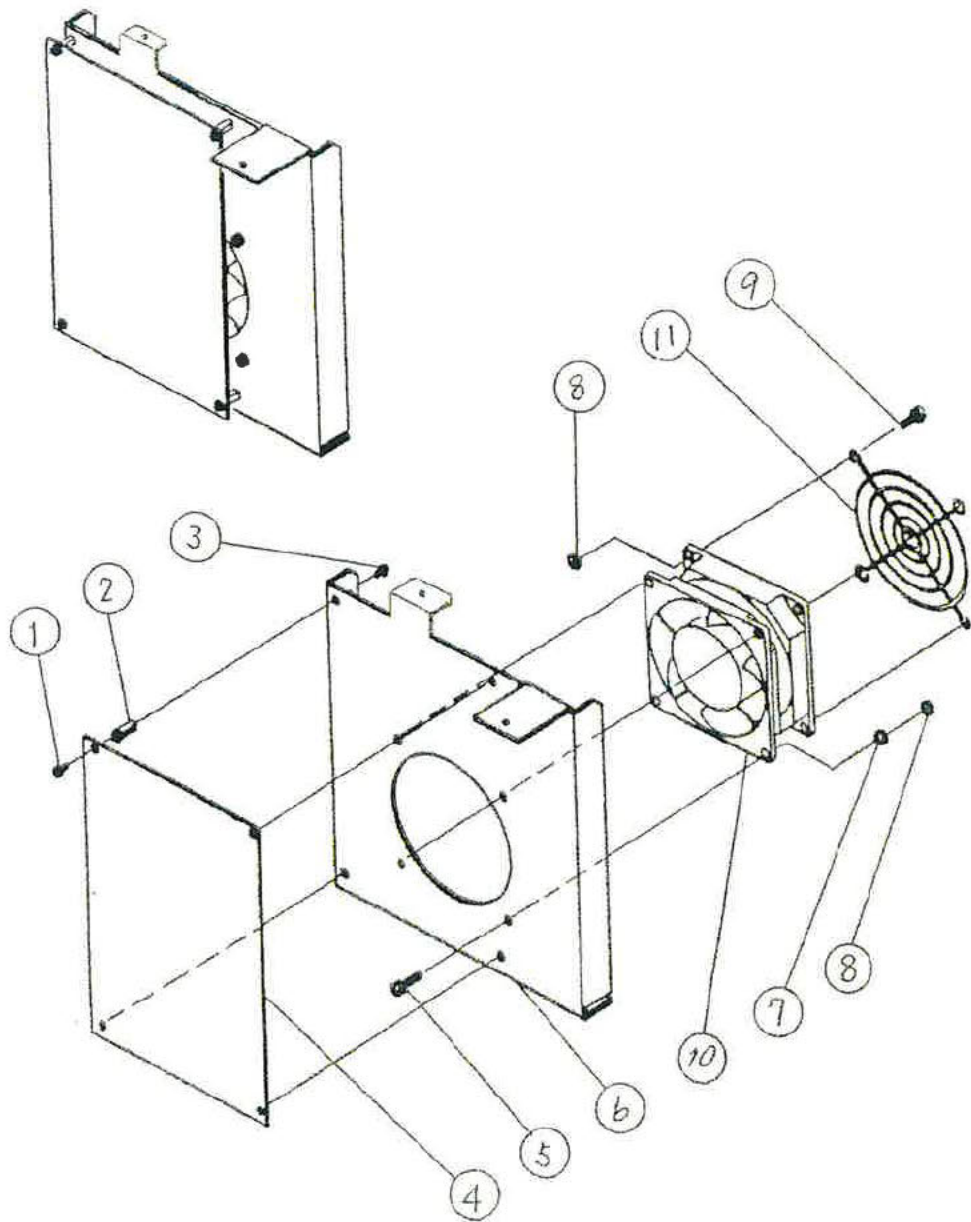
3-1 LCD UNIT (CURRENT)

(UD-S*716AU03)



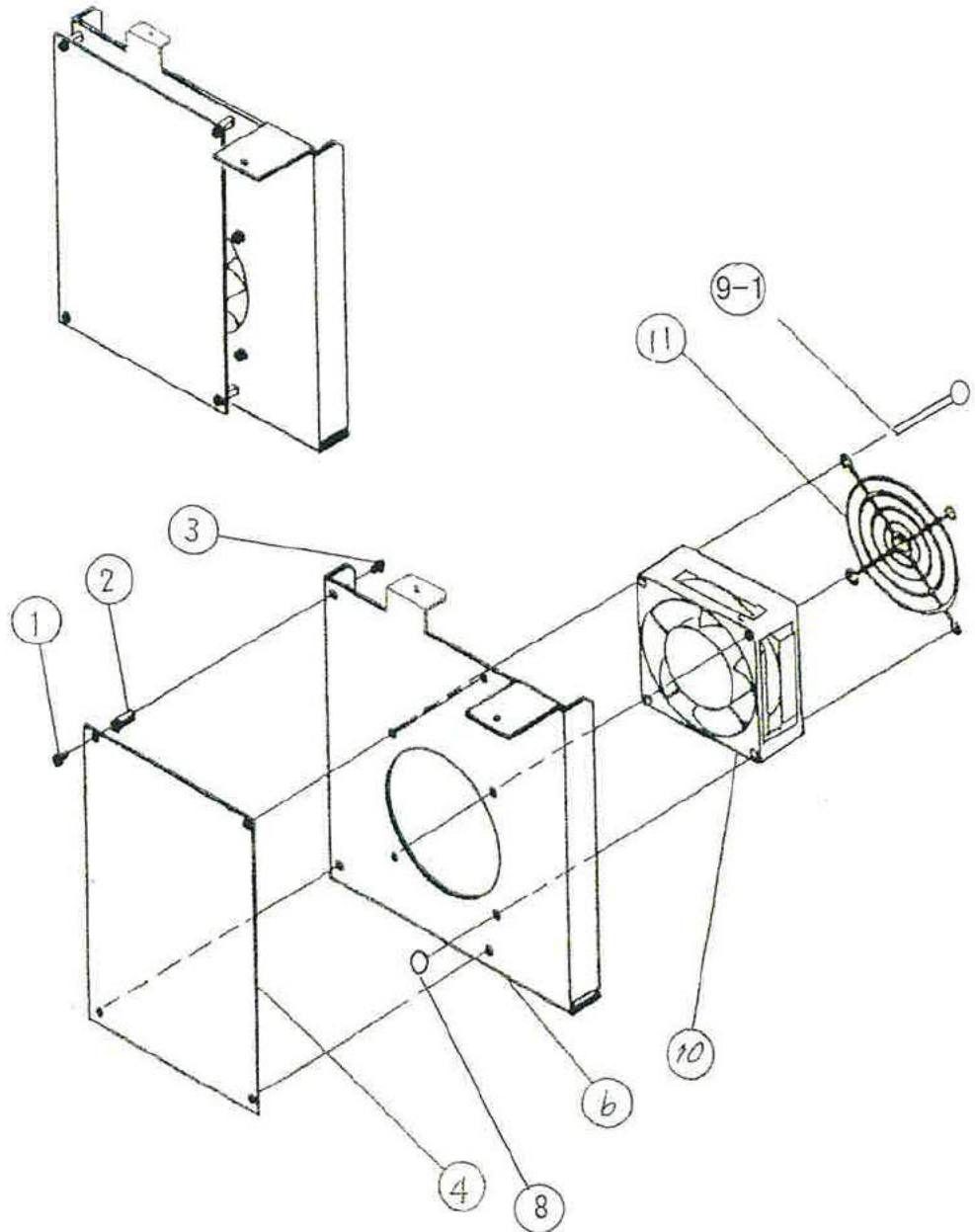
5 FAN UNIT

716 AU05
(UD-S*716AU05)



5-1 FAN UNIT

716AU05-1
(UD-S*716AU05)



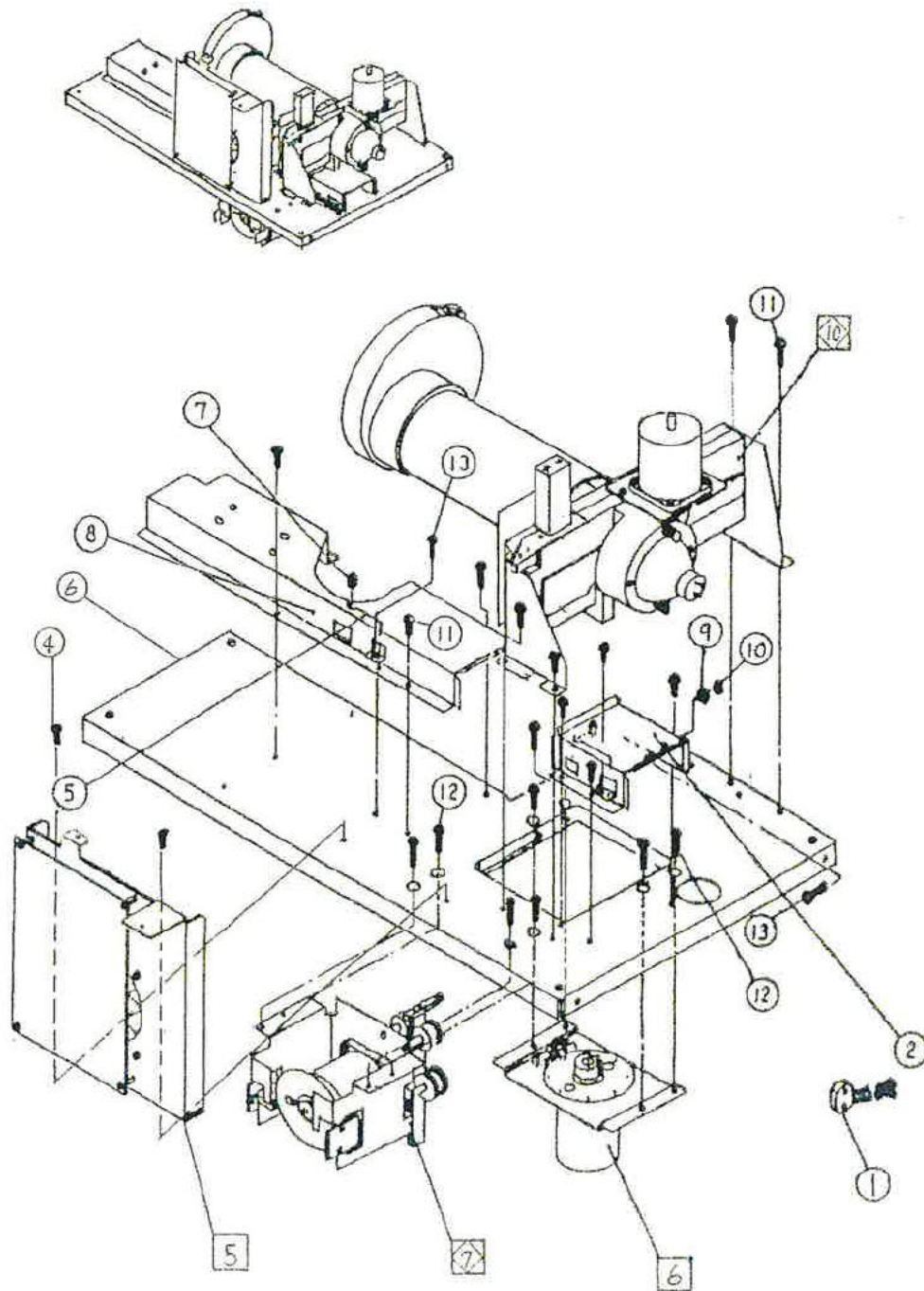
5 FAN UNIT

(UD-S*716AU05)

Ckt.No.	Parts No	Part Name
5	716AU05	Fan unit
5-1	716AU05-1	FAN UNIT
1	XYN3+J8FJ	Screw - pan
2	SA55M3-10-BS	Spacer
3	XYN3+J6FJ	Screw - pan
4	716A-007J	PC board
	716A-007J1	PC board
5	XYN4+J15	Screw - pan
6	UDM716X102-3	Guide
7	XWA4A	Spring Washer
8	XNG4G	Nut
9	XYN4+J10FJ	Screw - pan
9-1	XYN3+F40FJ	Screw
10	109-040UL	AC Fan
10-1	109P0824h202	DC Fan with connector
11	08132	Fan guard

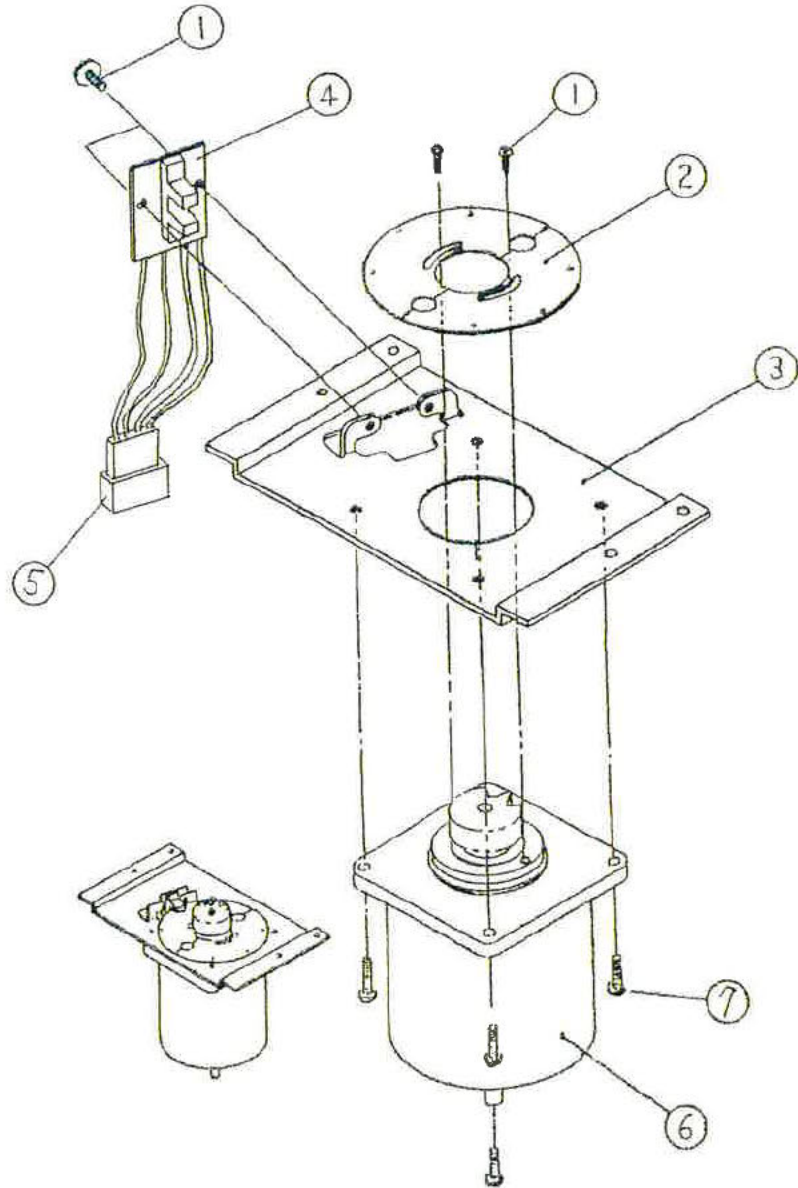
2 MECHANICAL SECTION

716 AS 02
(UD-S*716AS02)



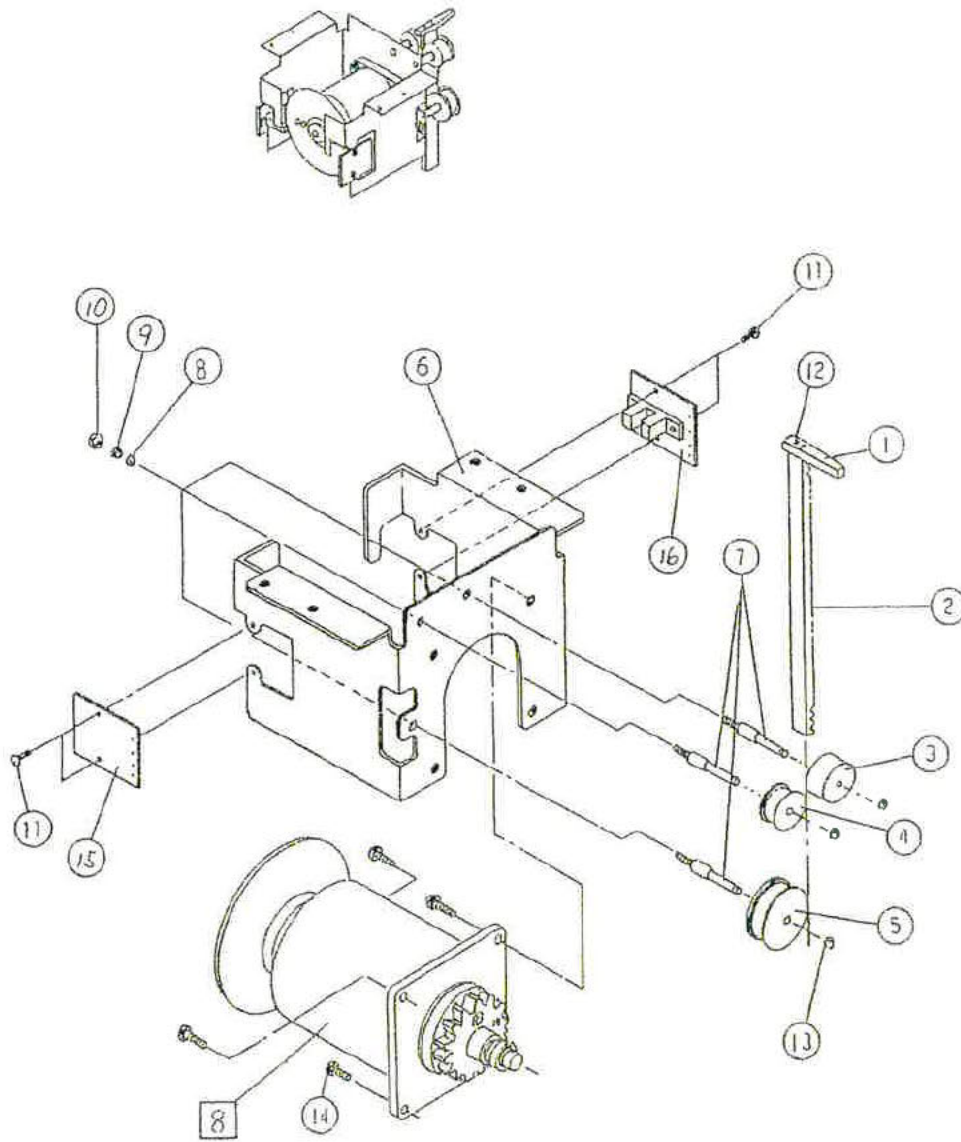
6 MAGAZINE DRIVING UNIT

716 AU06A
(UD-S*716AU06)



7 BADGE DRIVING SECTION

710AU07A
(UD-S*710AU07)



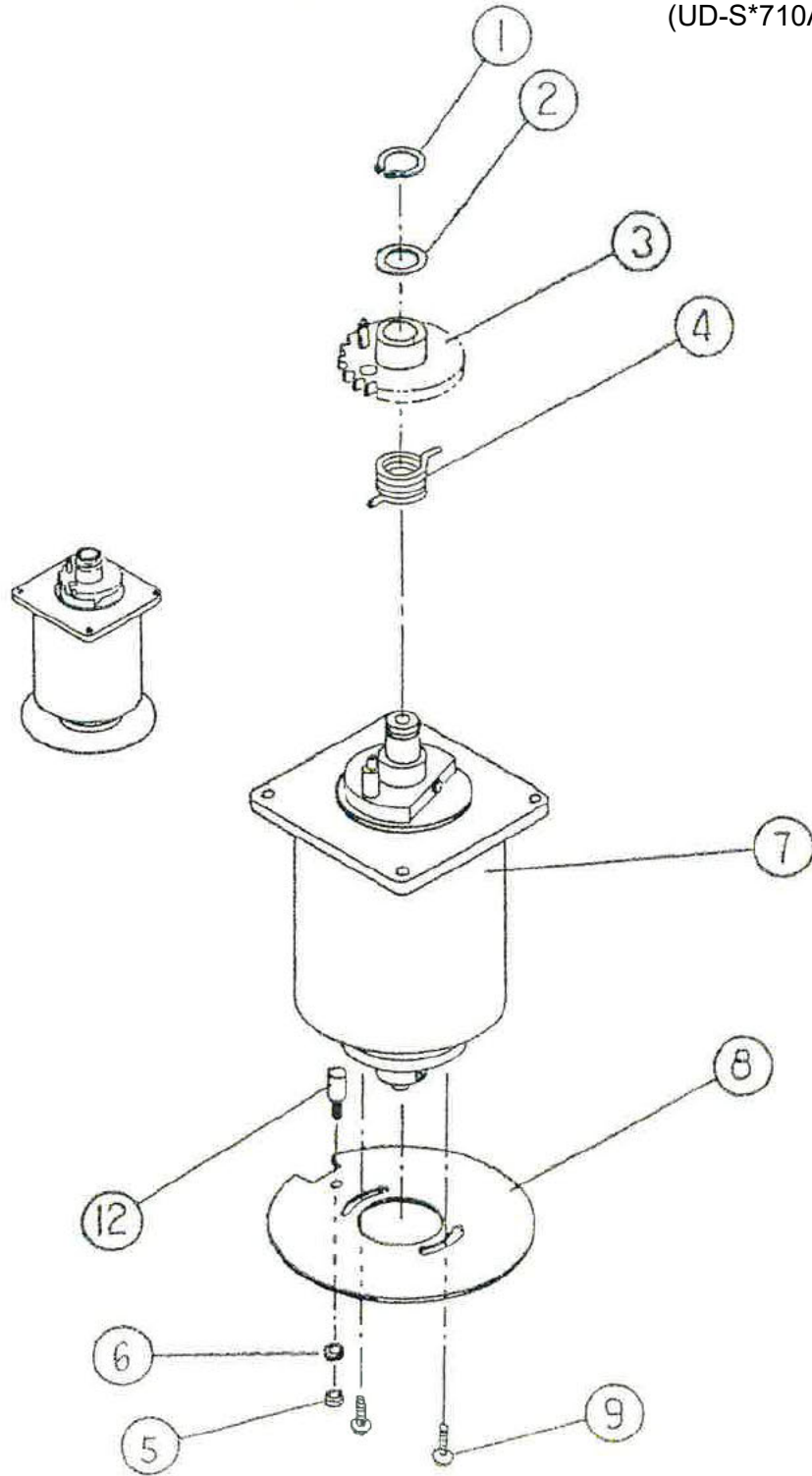


BADGE DRIVING SECTION (UD-S*710AU07)

Ckt.No.	Parts No	Part Name
	716AU07A	BADGE DRIVING SECTION
8	716AU08	BADGE DRIVING M UNIT
1	710A0077NH	HEAD PIECE
2	710A0076KNH	ROD
3	710A0083	SUPPORT ROLLER
4	710A0084	UPPER GUIDE ROLLER
5	710A0082	LOWER GUIDE ROLLER
6	710A0071-3	BRACKET
7	MSD03	ROLLER SHAFT
8	XWE3	
9	XWA3B	
10	XNG3G	
11	XYN3+C8	
12	XYN2+C6	
13	XUC3VW	
14	XYN4+C12	
15	UD710A020J0	PC BOARD
	65039-30	
	47792	
16	UD710A020J6	PC BOARD
	65039-30	
	47792	

8 BADGE DRIVING MOTOR UNIT

710AU08
(UD-S*710AU08)

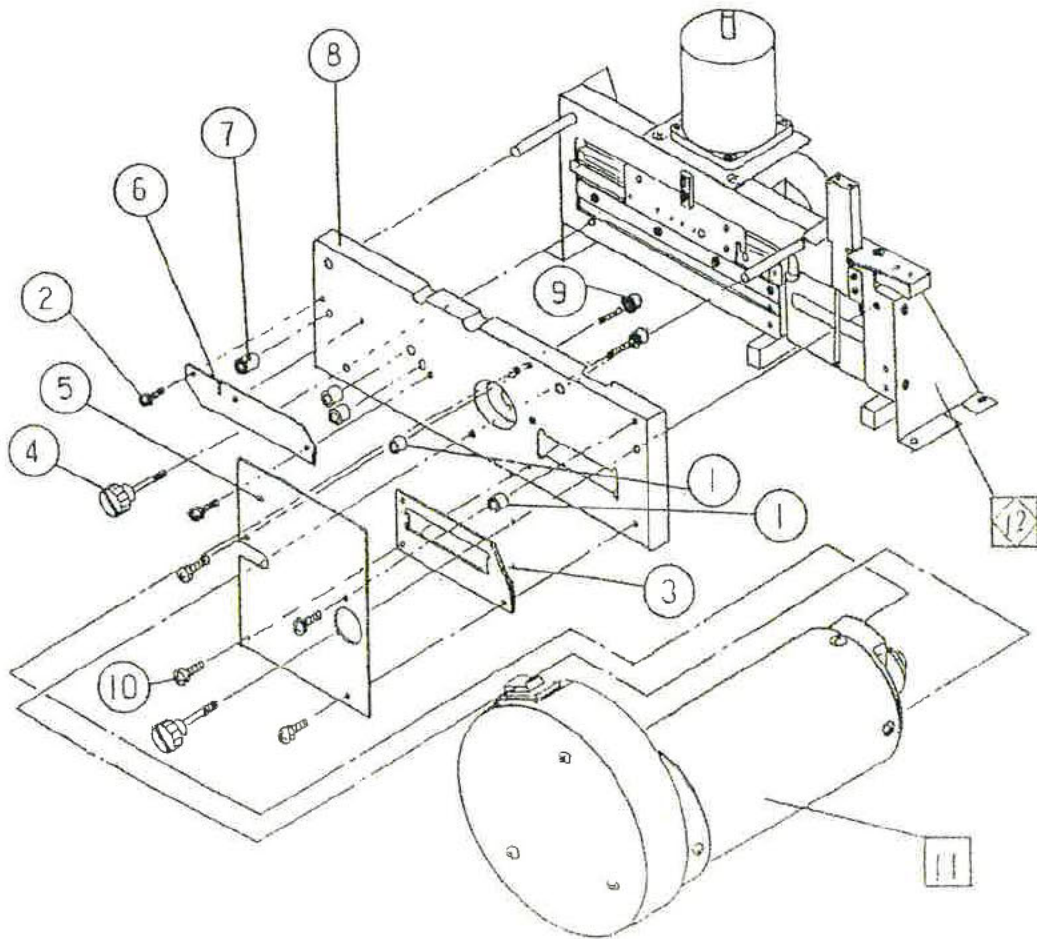
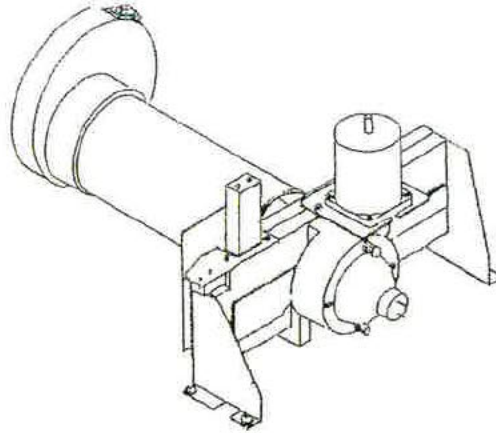


8 BADGE DRIVING MOTOR UNIT (UD-S*710AU08)

Ckt.No.	Parts No	Part Name
8	716AU08	Badge driving motor unit
1	XCU9VW	C-ring
2	XWE10	Washer
3	710A0074KNH	Gear head
	XPL3A18W	Spring pin
4	MS-SP02	Spring
5	XNG3G	Nut
5-1	XNG3EFJ	NUT
6	XWE3	Washer
7	716APM2ASY	PM2 Assembly
	710A0078-KA	Pulse motor with geaar
	SMR-06V-B	Connector
	BYM-001T-0	Contact pin
7-1	UDE710XPM2-2	PM2 Assy
9	XYN3+C8FJ	Screw-pan
10	XNG3G	Nut
11	XWE3	Washer
12	MSD02	Stopper-pin

10 HOUSING SECTION

716AU10
(UD-S*716AU10)



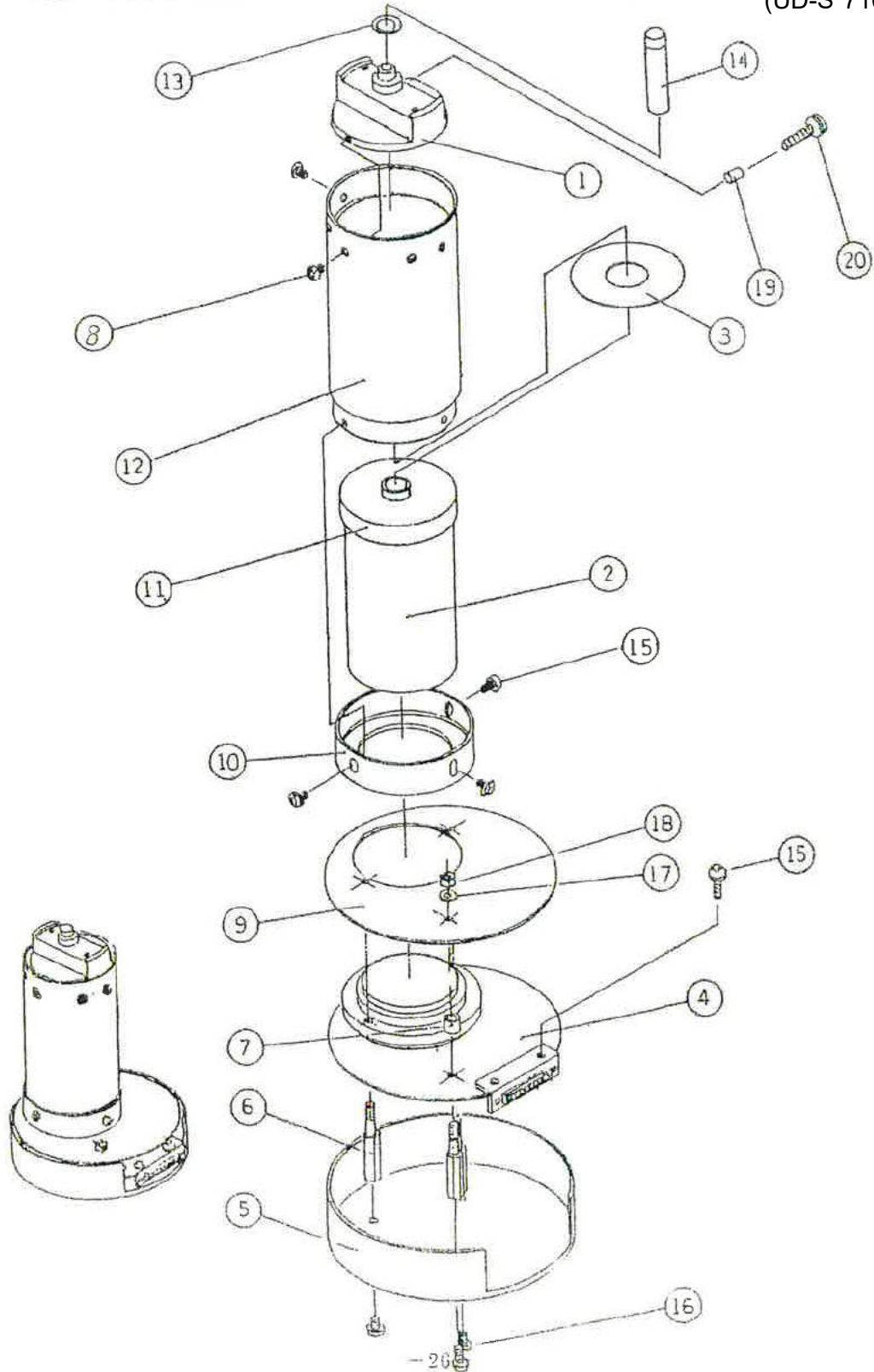
10 HOUSING SECTION (UD-S*716AU10)

Ckt.No.	Parts No	Part Name
10	716AU10	Housing section
11	716AU11	P. M. T. Unit
	716AU12A	Main housing section
1	MSC01-2	Collar
2	XYN3+C10FJ	Screw-pan
3	710A0014-1	Sensor retainer
4	702A0036K	Screw-knob
5	716A-004AJ1	PC board (No.code reader)
	UDP716X04CJ1	PC board (No.code reader)
6	UD710A014BJ	PC board (LED senser)
	65039-30	Mini-latch housing
	47792	CTW mail pin
7	710A0016	LED tube
8	710A0002C	sub housing
9	XYN4+C16FJ	Screw-pan
10	XYN3+C16FJ	Screw-pan



11 P.M.T. UNIT

710 AU 11
(UD-S*710AU11)

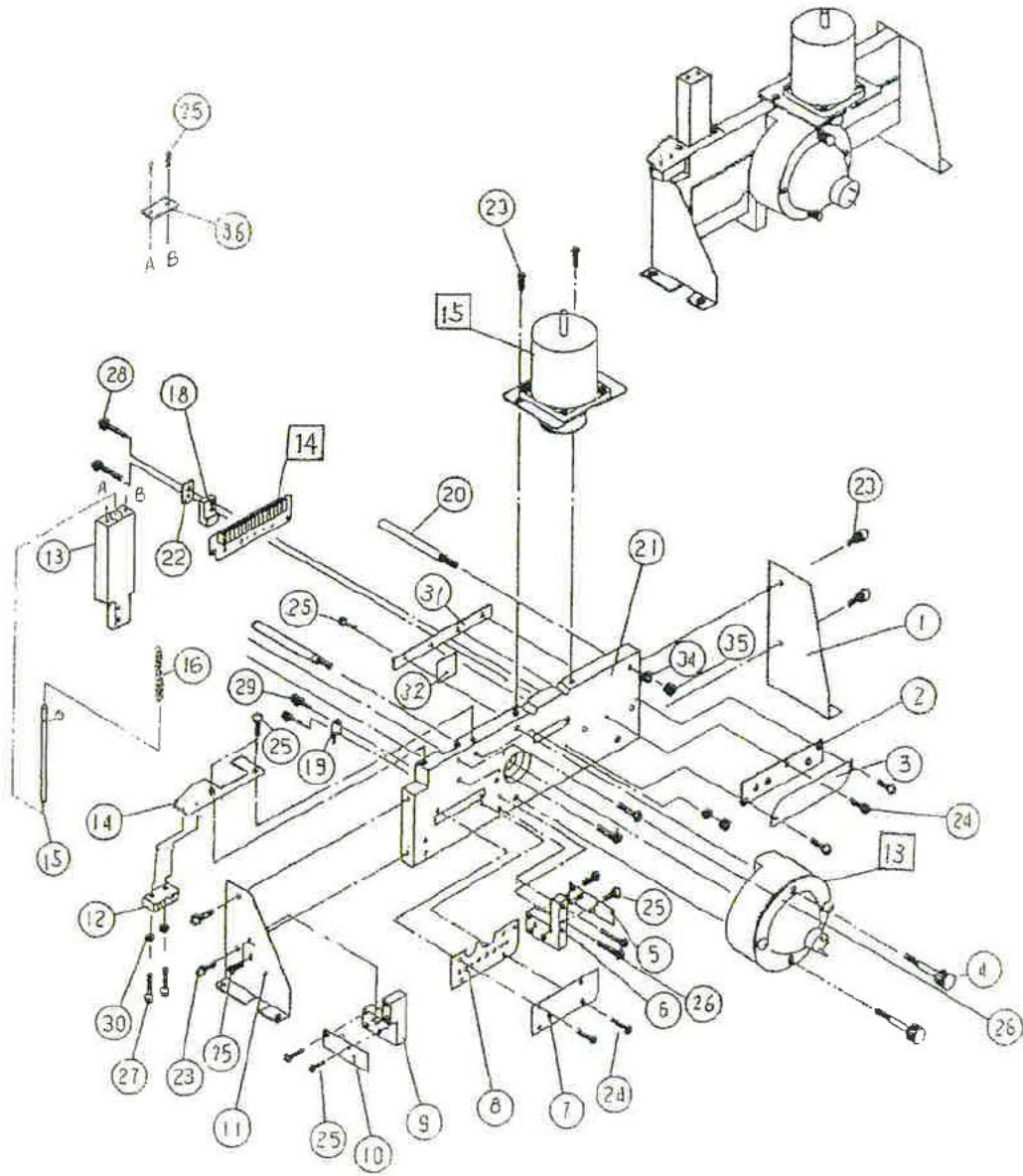


11 P. M. T. UNIT (UD-S*710AU11)

Ckt.No.	Parts No	Part Name
11	716AU11	P. M. T. Unit
1	710A0051A	P. M. T. Front cover
2	R464-04	P. M. T.
3	705A0305	P. M. T. Spacer
4	UD710A005AJ1	Pre-Amp.
5	702A0073	Unit cover
6	MSB01	Unit leg
7	MSC03	Unit collar
8	XYN4+C12FJ	Screw-pan
9	702A0069	Mount
10	702A0068	Socket retainer
11	702A0066	P. M. T. Insulator
12	710A0055C	P. M. T. Housing
13	B2401-1AP12	O-ring
14	710A0052	Optical guide
15	XYN3+C6FJ	Screw-pan
16	XYN3+C8FJ	Screw-pan
17	XWE3FJ	Washer
18	XNG3G	Nut
19	710A0053	Rubber
20	XYN4+C10FJ	Screw-pan

12 MAIN HOUSING SECTION

716 AU12
(UD-S*716AU12)

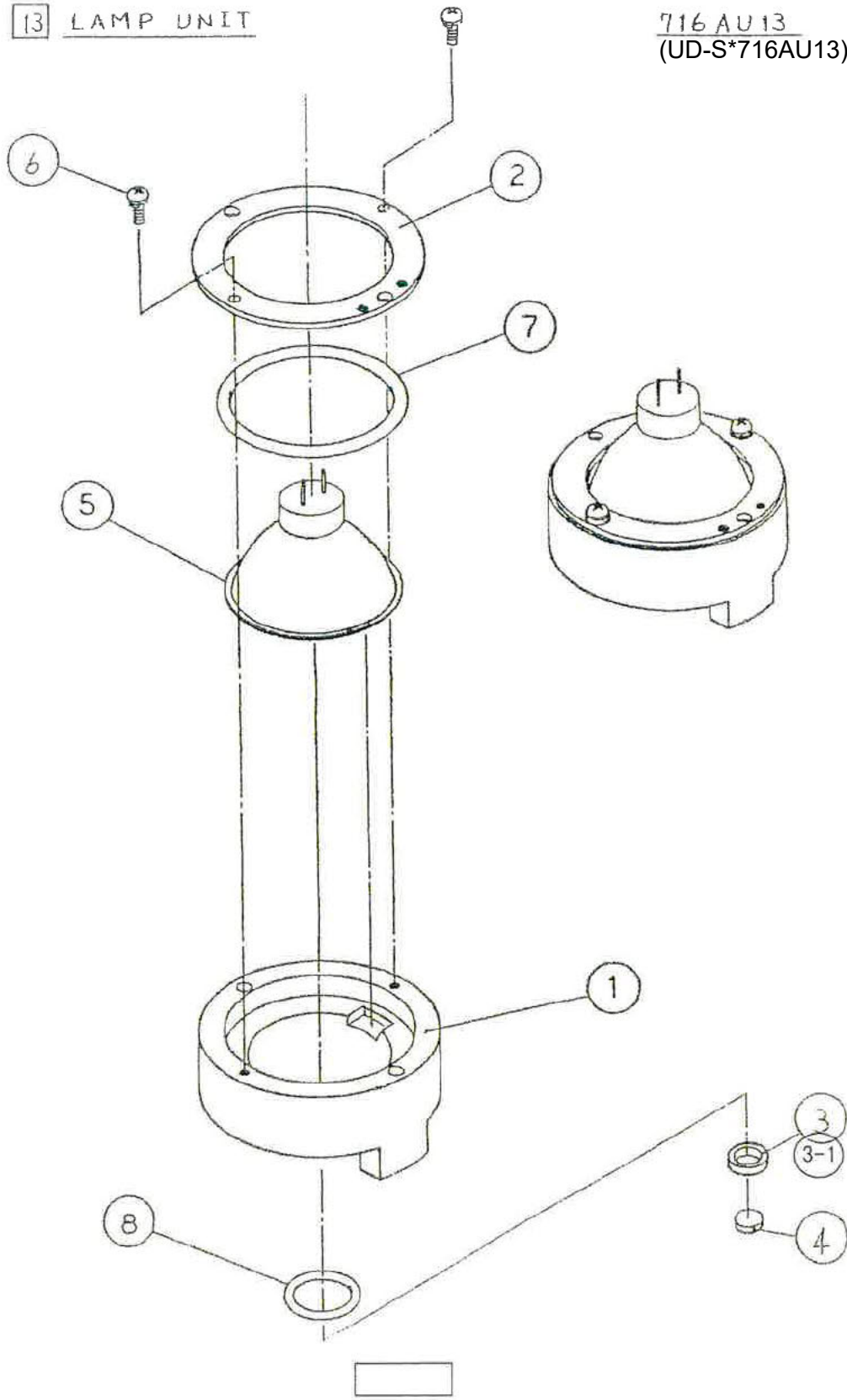


12 MAIN HOUSING SECTION (UD-S*716AU12)

Ckt.No.	Parts No	Part Name
12	716AU12A	Main housing section
13	716AU13	Lamp unit
14	716AU14A	Card carrier unit
15	716AU15	Carrier drive unit
1	UDM710X030B	Housing back support
2	710A0246-1	SR spacer
3	UD710A013J	PC board
	65039-30	Mini-latch housing
	47792	CTW mail pin
4	710A0045	Screw-knob
4-1	710A0045A	Screw-knob
5	UD710A016BJ	PC board
	65039-30	Mini-latch housing
	47792	CTW mail pin
6	710A0018-1	LED bracket
7	UD710A012AJ1	PC board
8	702A0041	Reflector
9	710A0019	Bracket
10	UD710A015J	PC board
	65039-30	Mini-latch housing
	47792	CTW mail pin
11	710A0029A	Housing front support
12	HN716-W25A	Harness
13	UDS716X001	Guide
14	UDM716N104-2	Bracket
15	UD-716N105	Rod
16	MS-SP01	Spring
17	710A0026A	Rod guide
18	710A0021	Push plate(A)
19	710A0012-3	Card lock plate
20	710A0028A	Stud
21	710A0001-5	Main housing
22	710A0022	Push plate(B)
23	XYN4+C12FJ	Screw-pan
24	XYN3+C10FJ	Screw-pan
25	XYN3+C8FJ	Screw-pan
26	XYN3+C16FJ	Screw-pan
27	XYN2+C12FJ	Screw-pan
28	XYN3+C14FJ	Screw-pan
29	XYN4+C10FJ	Screw-pan
30	XWE2FJ	Washer
31	710A0245	Glass mount
31-1	710A0245-1	Glass mount
32	710A0244	Protection glass
33	XSS3+8	Screw-flat
34	XWA4B	Spring washer
35	XNG4BG	Nut

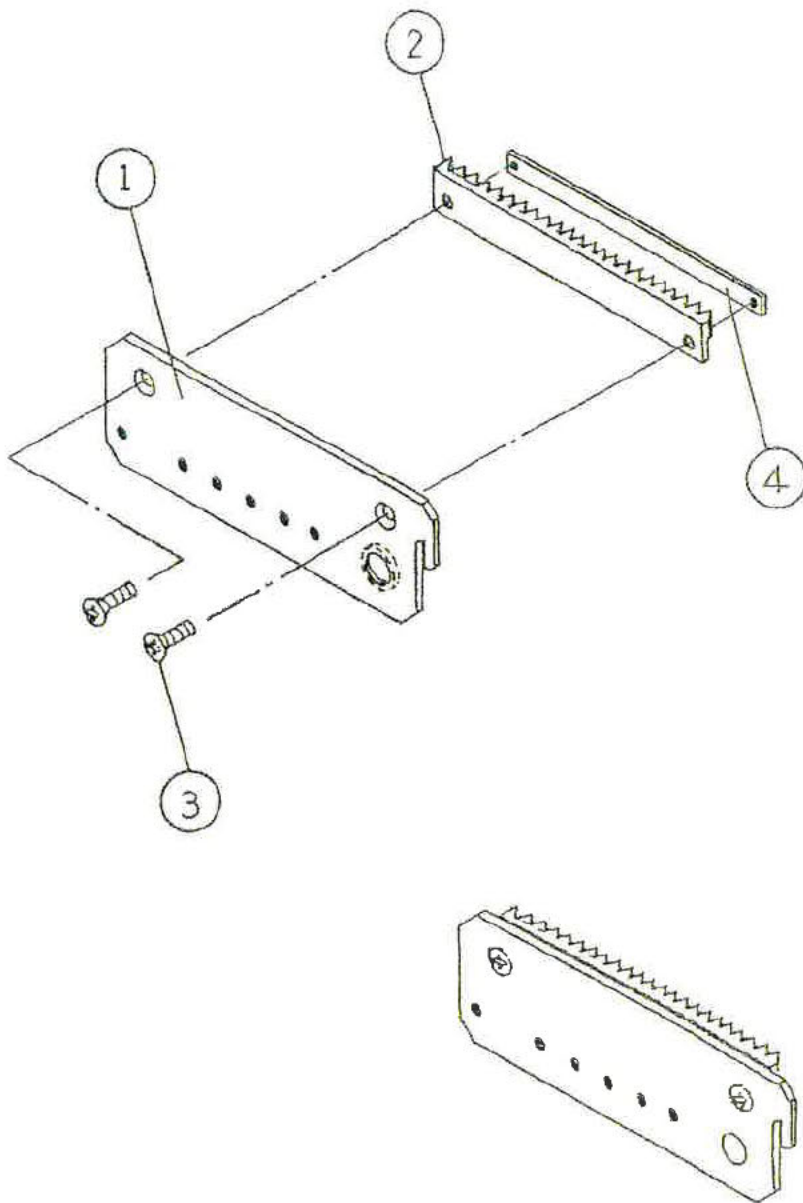
13 LAMP UNIT

716AU13
(UD-S*716AU13)



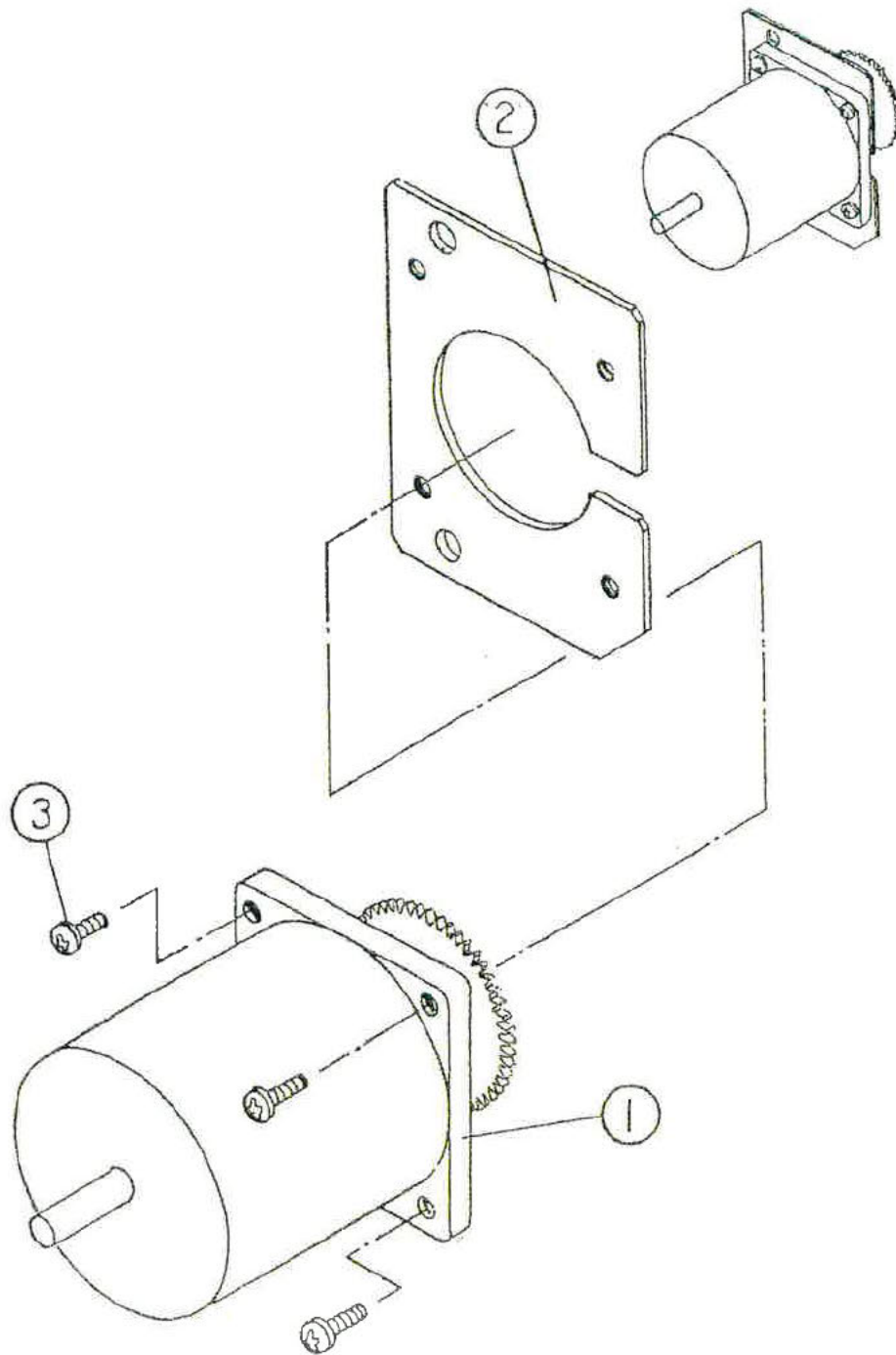
14 CARD CARRIER UNIT

710AU14A
(UD-S*710AU14)



15 CARRIER DRIVE UNIT

710AU15
(UD-S*710AU15)



16

SCREW SET

(UD-S*716AU16)

Ckt.No.	Parts No	Part Name
	XNG3EFJ	NUT
	XNG3FFN	Nut
	XNG4BFJ	Nut
	XNG4G	Nut
	HPA-M3	Screw
	TM-147-5563	Step Washer
	SB6M3-30-BS	Spacer
	NO336	Support
	138230940040	Collar
	SB6M3-15-BS	Spacer
	138230930130	Collar
	ASF-311E	Spacer
	CF-414ZE	SPACER
	XSN2+3FJ	Screw-pan
	XSN26+10FJ	Screw-pan
	XSS26+55	Screw-flat
	XSS3+6FJ	SCREW
	XSS3+8FJ	Screw-flat
	XSS3-45FJ	screw
	XSS4+8FJ	Screw-flat
	XST3+6FN	Screw-pan
	XST4+10FN	Screw-truss
	XST4+8FN	Screw-truss
	XUC3VW	
	XVE3B10	Hexgon bolt
	XVG6B16	Bolt
	XWA2AFN	Spring Washer
	XWA3A	Spring Washer
	XWA3B	Spring Washer
	XWA4A	Spring Washer
	XWA4B	Spring washer
	XWA4FJ	Spring washer
	XWA6A	Spring Washer
	XWE10	Washer
	XWE2FJ	Washer
	XWE3FJ	Washer
	XWG3FN	Washer
	XYN2+C12FJ	Screw-pan
	XYN2+J6FJ	
	XYN3+J15FJ	Screw-pan
	XYN3+C6FJ	screw
	XYN3+C10FJ	Screw-pan
	XYN3+C14FJ	Screw-pan
	XYN3+C16FJ	Screw-pan
	XYN3+C8FJ	Screw-pan
	XYN3+F40FJ	Screw
	XYN3+F8FJ	Screw-pan
	XYN3+J12FJ	Screw-pan
	XYN3+J6FJ	Screw-pan
	XYN3+J8FJ	Screw-pan
	XYN3+C5FJ	screw
	XYN4+F8FJK	Screw-pan
	XYN4+C10FJ	Screw-pan
	XYN4+C12FJ	Screw-pan
	XYN4+C16FJ	Screw-pan
	XYN4+J10FJ	Screw-pan
	XYN4+J15FJ	Screw-pan
	XYN4+J8FJ	Screw-pan
	XYN6+J16FJ	Screw-pan