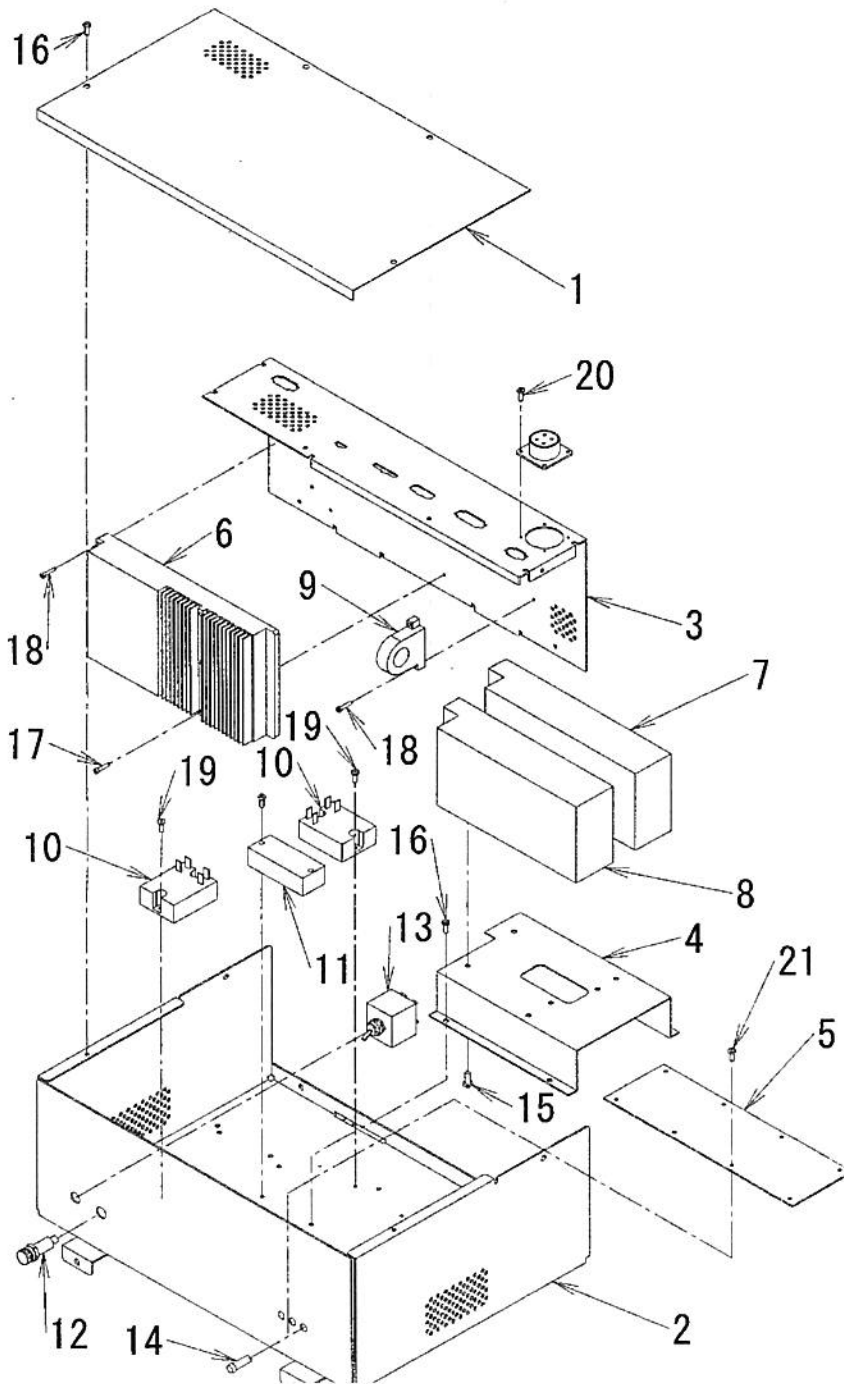


2 Power Supply unit (UD-S*7900029)



2 Power Supply unit (UD-S*7900029)

Order min.Q'ty 1

| Ckt.No. | Order No. | Parts No | Part Name | Q'ty/Unit | order min.Q'ty |
|---------|--------------|------------------|--------------------------|-----------|----------------|
| 1 | - | UDM7900048 | Power supply cover | 1 | - |
| 2 | - | UDM7900046-3 | Power supply case | 1 | - |
| 3 | - | UDM7900047-1 | Power supply panel | 1 | - |
| 4 | - | UDM7900049 | Power supply mount | 1 | - |
| 5 | UD-S*7900038 | 501-UDP790054AJ1 | Power supply control PCB | 1 | 1 |
| 6 | UD-S*7900039 | IP-MU2-CQ | Power Supply set | 1 | 1 |
| 7 | | JWT100-522 | | 1 | |
| 8 | | JWS100-24 | | 1 | |
| 9 | - | UDH7900012B2 | Sensor | 1 | - |
| 10 | - | D2425D | Relay | 2 | - |
| 11 | - | JTP30-4U-ULCSA | Terminal block | 1 | - |
| 12 | - | K3GA1BJ00018 | Fuse holder | 1 | - |
| 13 | - | 2100F-5A-AA | Breaker switch | 1 | - |
| 14 | - | B3ABZ0000044 | LED | 3 | - |
| 15 | - | XYN4+C10FJ | Screw-pan | 6 | See P.38/39 |
| 16 | - | XYN4+C8FJ | Screw-pan | 4 | See P.38/39 |
| 17 | - | XYN3+C35FJ | Screw-pan | 3 | See P.38/39 |
| 18 | - | XYN3+J15FJ | Screw-pan | 4 | See P.38/39 |
| 19 | - | XYN3+C10FJ | Screw-pan | 4 | See P.38/39 |
| 20 | - | XYN3+C8FJ | Screw-pan | 4 | See P.38/39 |
| 21 | - | XYN3+C6FJ | Screw-pan | 8 | See P.38/39 |
| | | | | | |
| | | | | | |
| | | | | | |
| | | | | | |