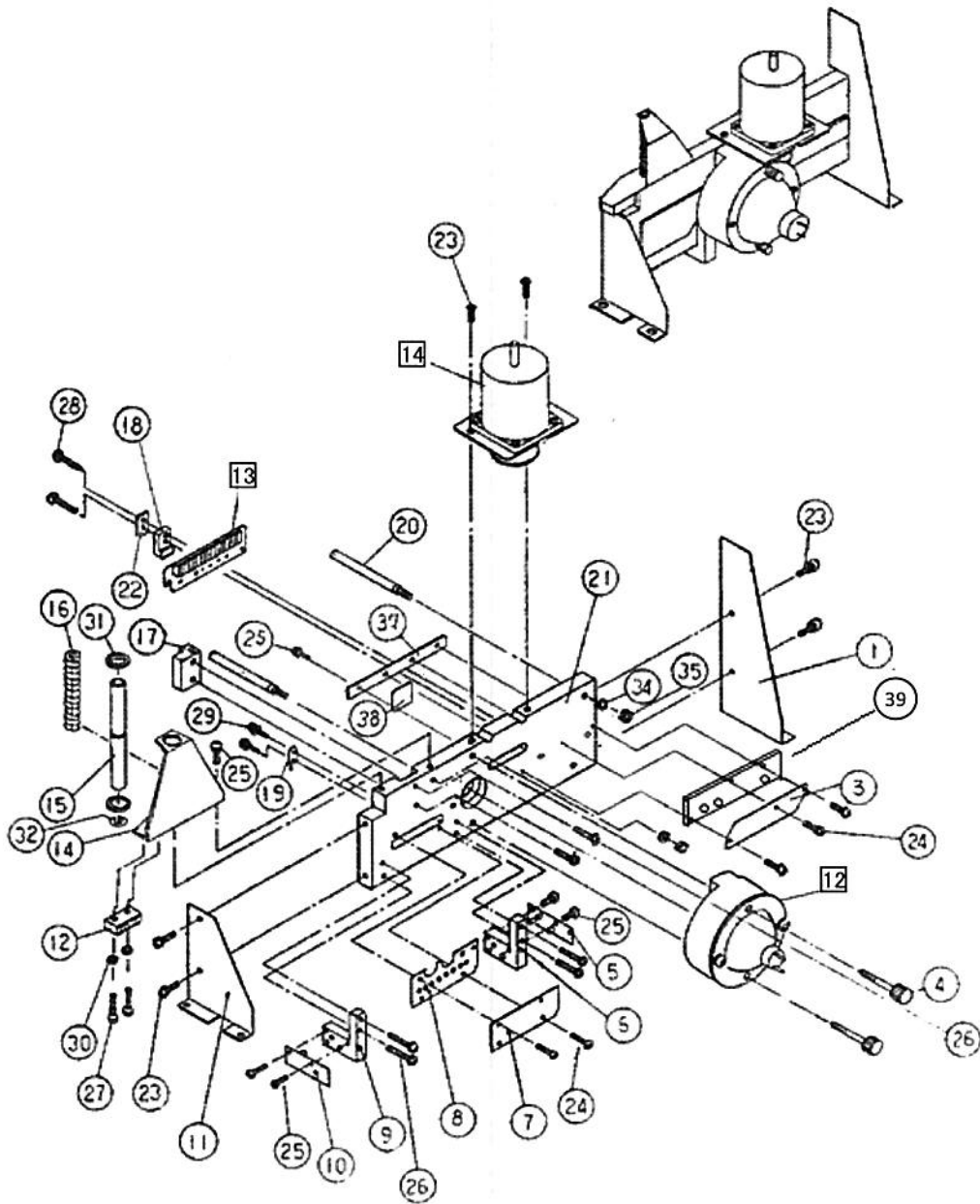


10 Main housing unit (UD-S*7900041)



10 Main housing unit (UD-S*7900041)

Order
min.Q'ty 1

Ckt.No.	Order No.	Parts No	Part Name	Q'ty/Unit	order min.Q'ty
12	UD-S*7900042	-	Lamp unit	1	1
13	UD-S*7900015	-	Card carrier unit	1	1
14	UD-S*7900043	-	PM1 unit	1	1
1	-	710A0030A	Housing back support	1	-
2					
3	UD-S*7900001	501-UD710A013J	Sensor PCB kit 1	1	See P.40
4	-	710A0045A	Screw-knob	2	-
5	UD-S*7900001	501-UD710A016BJ	Sensor PCB kit 1	1	See P.40
6	-	710A0018-1	LED bracket	1	-
7	UD-S*7900009	501-UD710A012AJ1	No.Lamp board	1	See P.40
8	-	702A0041	Reflector	1	-
9	-	710A0019	Bracket	1	-
10	UD-S*7900001	501-UD710A015J	Sensor PCB kit 1	1	See P.40
11	-	710A0029A	Housing front support	1	-
12	-	SS-5	Micro switch	1	-
13					
14	-	710A0020	Bracket	1	-
15	-	710A0024	Rod	1	-
16	-	MS-SP01	Spring	1	-
17	-	710A0026-2	Rod guide	1	-
18	-	710A0021	Push plate(A)	1	-
19	-	710A0012-3	Card lock plate	1	-
20	-	710A0028A	Stud	2	-
21	UD-S*7900016	710A0001-5	Main Housing	1	1
22	-	710A0022	Push plate(B)	1	-
23	-	XYN4+C12FJ	Screw-pan	6	See P.38/39
24	-	XYN3+C10FJ	Screw-pan	5	See P.38/39
25	-	XYN3+C8FJ	Screw-pan	8	See P.38/39
26	-	XYN3+C16FJ	Screw-pan	6	See P.38/39
27	-	XYN2+C12FJ	Screw-pan	2	See P.38/39
28	-	XYN3+C14FJ	Screw-pan	2	See P.38/39
29	-	XYN4+C10FJ	Screw-pan	2	See P.38/39
30	-	XWE25FJ	Washer	2	See P.38/39
31	-	XWE5FJ	Washer	2	See P.38/39
32	-	XUC4VW	E-ring	1	See P.38/39
33					
34	-	XWA4B	Spring washer	2	See P.38/39
35	-	XNG4FJ	Nut	2	See P.38/39
36					See P.38/39
37	-	710A0245-1	Glass mount	1	See P.38/39
38	UD-S*7900007	710A0244	Protect glass	1	See P.41
39	-	710A0246-1	SR-PT-123 Spacer	1	-