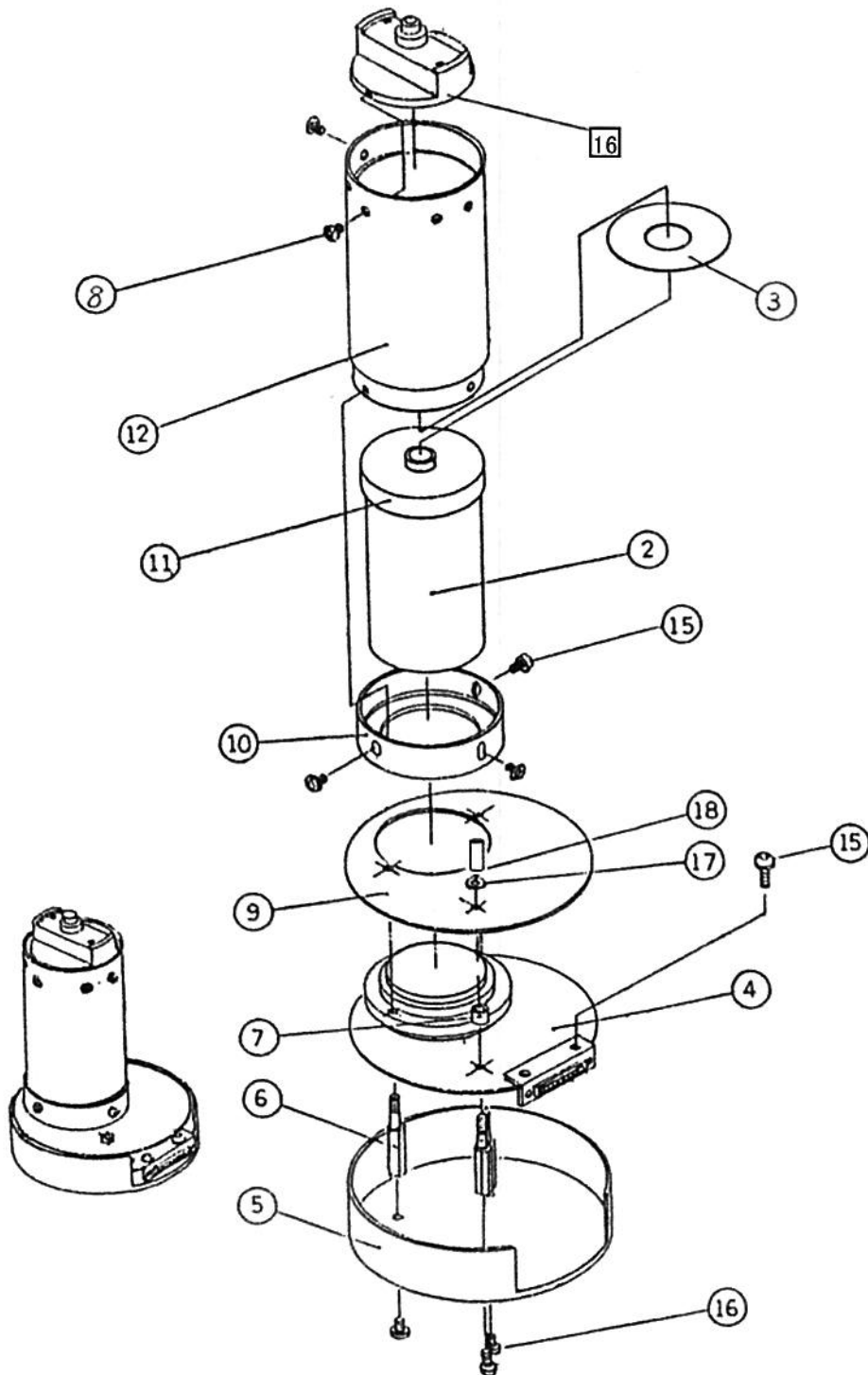


11 PMT unit (UD-S*7900005)



11 PMT unit (UD-S*7900005)

Order min.Q'ty 1

Ckt.No.	Order No.	Parts No	Part Name	Q'ty/Unit	order min.Q'ty
16	UD-S*7900012	-	PMT Head kit	1	1
2	-	R464-05	P.M.T	1	-
3	-	705A0305	P.M.T spacer	1	-
4	-	501-UD710A005AJ1	Pre Amplifier	1	-
	-	702A0070	Unit insulator	1	-
	-	702A0074	Connector angle	1	-
	-	E678-21A	P.M.T socket	1	-
	-	UD710A005AJ	PC board ✓	1	-
5	-	702A0073	Unit cover	1	-
6	-	MSB01	Unit leg	3	-
7	-	MSC03	Unit collar	1	-
8	-	XYN4+C12FJ	Screw-pan	3	See P.38/39
9	-	702A0069	Mount	1	-
10	-	702A0068	Socket retainer	1	-
11	-	702A0066	P.M.T insulator	1	-
12	-	710A0055C	P.M.T housing	1	-
13					
14					
15	-	XYN3+C6FJ	Screw-pan	5	See P.38/39
16	-	XYN3+C8FJ	Screw-pan	3	See P.38/39
17	-	XWE3FJ	Washer	1	See P.38/39
18	-	SA55M3-10-BS	Nut	1	See P.38/39